

Industrial Panel PC

APC-3211/3511/
3711/3911

12.1"/15"/17"/19" TFT LCD Panel PC



Features

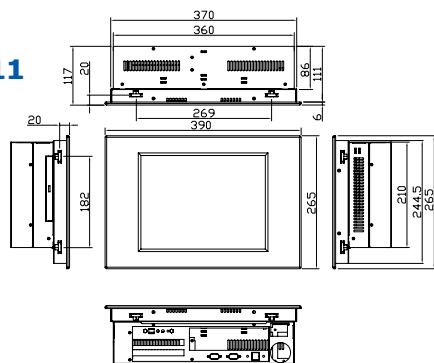
- Intel Celeron 2.4GHz up to Pentium 4 2.8GHz CPU
- NEMA 4/IP 65 compliant front bezel
- 2 x PCI expansion slots
- Space for one 2.5" HDD, one slim CD-ROM/ DVD Combo and one CF slot
- Resistive touch screen (optional)
- Optional stainless steel front bezel
- Support Panel mount
- AC 100~240V wide-range power input

System Specifications

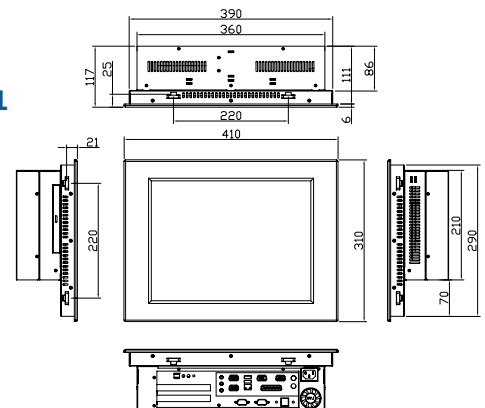
Specs	Models	APC-3211	APC-3511	APC-3711	APC-3911
CPU		Intel Celeron 2.4GHz / Intel Pentium 4 (2GHz up to 2.8GHz)			
DRAM		up to 1GB DDR SDRAM			
Storage		Space for 1x 2.5" HDD, 1x slim CD-ROM/ DVD Combo and 1 x CF slot			
I/O Ports		3 x COM ports , 1 x PS/2 keyboard & mouse , 4 x USB 2.0, 1 x Audio Mic, Line-in, Line-out, 1 x video output, 1 x parallel port, 1 x VGA, 1 x LAN			
Expansion		2 x PCI slots			
Fanless / Fan		Fan			
Touch screen		Resistive (optional)			
Display Specifications					
LCD		12.1" SVGA	15" XGA	17" SXGA	19" SXGA
Resolution		800x600	1024x768	1280x1024	
Luminance (cd/m ²)		300	400	300	
Dimension		390(W)x265(H)x117(D)mm	410(W)x310(H)x117(D)mm	457(W)x355(H)x123(D)mm	484(W)x400(H)x139.3(D)mm
Backlight Lifetime		50,000hrs			
Mechanical Specifications					
Construction		Heavy-duty steel chassis, Stainless Steel front bezel (optional)			
Power input		AC 100~240V			
Operating Temperature		0~50° C			
Storage Temperature		0~60° C			
Rating		NEMA 4/IP 65 compliant front bezel			
Certificate		Meet CE / FCC Class A			
Mounting		Panel mount			

Dimensions

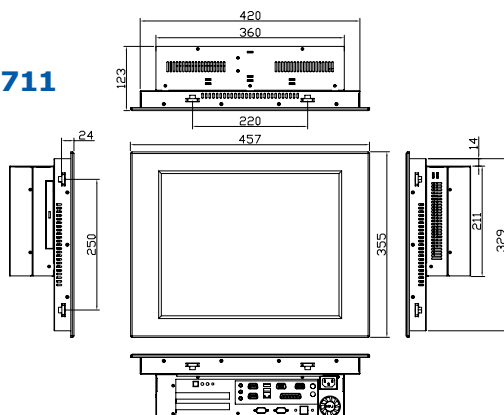
APC-3211



APC-3511



APC-3711



APC-3911

