

# **APORT210**

## **IP to Serial Port Converter**

- ◆ **10/100Mbps LAN Connection**
- ◆ **One Local Pass-through RS232 Port**
- ◆ **Two Remote IP Access RS232 Port**



- ★ **32bit 100MHz RISC CPU** higher performance than 16bit CPU.
- ★ **Auto-detecting** 10/100Mbps Ethernet interface.
- ★ Support **Windows NT/2000/XP/Vista** virtual COM drive.
- ★ Support **Windows 7/8/10** virtual COM drive.
- ★ Support **TCP server/Client** mode.
- ★ Support **UDP send/receive** mode.
- ★ Support **WEB, TELNET and terminal** setup.
- ★ Support **one local** pass-through RS232 port for isolated RS232 device.
- ★ Support **two remote** IP access port for isolated RS232 device.
- ★ Support **Ground Isolated** feature in RS232 connection.
- ★ Suitable for **RS232 device** to add **IP access** capability.

## **APORT210 IP to Serial Port Converter Specification :**

### **Hardware Specification:**

- \*CPU: 32bit 100MHz MIPS CPU.
- \*Flash ROM: 16M Byte.
- \*SDRAM: 16M Byte.

### **LAN connection:**

- \*Interface: 10/100Mbps 100BaseT.
- \*connector: RJ45.

### **Software Compatibility:**

- \*TCP/IP or UDP/IP connection.
- \*WIN 2000/XP/Vista Virtual COM driver.
- \*Windows 7/8/10 Virtual COM driver.
- \*LINUX raw TTY driver.
- \*SCO UNIX real TTY driver.

### **Power Requirement:**

- \*5VDC @ 1200mA.

### **Environment :**

- \*Operating temperature: 5--40 °C .
- \*Operating humidity: 10--90%RH.
- \*Storage temperature: 0--65 °C .
- \*Storage humidity: 5--90%RH.

### **Dimension:**

92\*118\*27mm..

### **Serial port:**

\*Interface:

RS232 in serial port 1

Ground isolated RS232 in serial port 2 .

\*connector: DB9 male.

\*Port Number: 2.

\*speed: upto 230400bps.

NOTE: console port share with serial port 1.

NOTE: serial port 1 is pass-through port for local access.

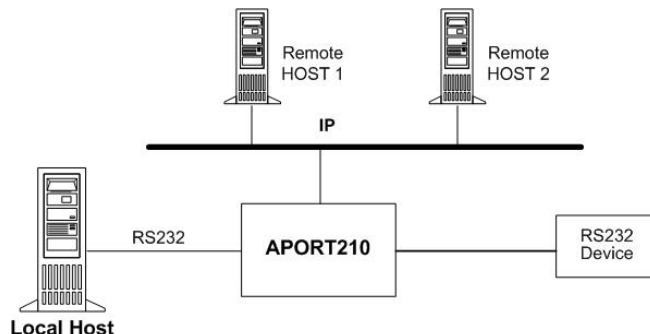
NOTE: serial port 2 is master virtual COM port for IP access.

NOTE: any data received from local pass-through serial port 1 will be transmitted to serial port 2 only.

NOTE: any data received from remote virtual COM port 1 and 2 will be transmitted to serial port 2 only.

NOTE: any data received from serial port 2 will be transmitted to serial port 1 and virtual COM 1&2.

NOTE: any serial device connect with serial port 2 will be access by local HMI master in serial port 1 or remote HMI master 1 & 2 via IP network.



### **Other relative product information:**

- \*APORT200: Ethernet to 2 RS232 port.
- \*APORT020: Ethernet to 2 Ground isolated RS232 port.
- \*APORT101: Ethernet to 1 RS232 and 1 Ground isolated RS422/485 port.
- \*APORT400: Ethernet to 4 RS232 port.
- \*APORT040: Ethernet to 4 Ground isolated RS232 port.
- \*APORT202: Ethernet to 2 RS232 and 2 Ground isolated RS422/485 port.
- \*APORT800: Ethernet to 8 RS232 port.

\*\*\*All names are the trademarks of their respective organization.



### **RAYON TECHNOLOGY CO., LTD.**

2F, No. 177, Chung Shan 2 Rd., Lu Chou city, Taipei Hsien, Taiwan.

TEL: 886-2-82858362 FAX: 886-2-82857065

E-Mail: [rayon@ms1.hinet.net](mailto:rayon@ms1.hinet.net) ; [info@rayontech.com.tw](mailto:info@rayontech.com.tw)

WEB: <http://www.computex.com.tw/rayon>

WEB: <http://www.rayontech.com.tw>