

DMK116

1U, Dual Rail 17", 19" Rack LCD Console with 16 port PS2 KVM Switch

Specifications

Model No	DMK116-17	DMK116-19
KVM Switch	16 port PS2 KVM switch	
Drawer Design	1U, Dual rail self-locking device	
Weight	13 kgs	
Dimension	442.4 x 44 x 590 mm (W x H x D)	
Power Supply	Built-in 60W, 100~240VAC Auto Switch, Operating Temp.: -20~70°C	
Construction	Heavy-duty steel	
Keyboard	104-key laptop type keyboard with touchpad,	
Physical Security	Key locking Mechanism	
Protection	Tempered glass protect LCD screen	
Power Consumption	3 watts stand-by, 25 watts in-use	
Operating Temp.	0 ~ 50°C (32 ~ 122°F)	
Storage Temp.	-20 ~ 60°C (-4 ~ 140°F)	
Humidity	0 ~ 90% RH	
LCD Display		
Size	17"	19"
Resolution	1280 x 1024	1280 x 1024
Brightness	300 cd/m2	300 cd/m2
Contrast Ratio	800 : 1	800 : 1
Viewing angle	160(H)/160(V)	170(H)/160(V)
Display Colors	16.7M	

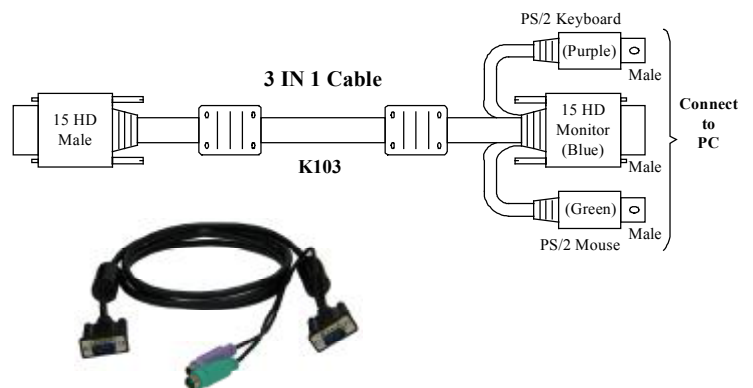


Features

- Meets EIA310c & IEC-3 specifications
- 1U, Dual rail, built-in A-grade 17" or 19" TFT LCD Monitor with 16-port PS2 KVM switch
- Can Daisy chain with WKVM108/116 BOX.
- Key-locking mechanism to prevent unauthorized access
- 104 keys notebook type keyboard with touch pad
- Up to 130-degree monitor rotation for viewing flexibility
- Built-in rail self-locking device
- Tempered glass protect LCD screen

Accessories :

■ K103 Cable : 6 Feet HDB15 connector to PS/2 PC.



RAYON TECHNOLOGY CO., LTD.

2F, No. 177, Chung Shan 2 Rd., Lu Chou city, Taipei Hsien, Taiwan.

TEL: 886-2-82858362 FAX: 886-2-82857065

E-Mail: rayon@msl.hinet.net

WEB: <http://www.computex.com.tw/rayon>

WEB: <http://www.rayontech.com>