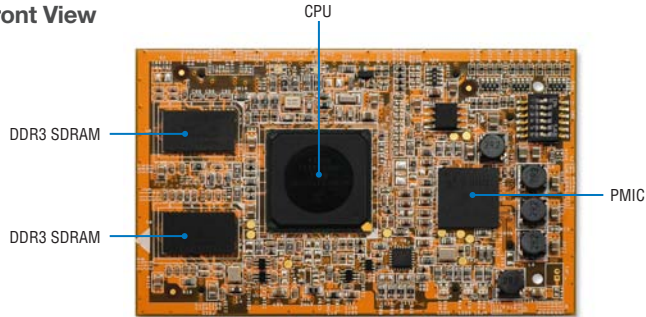
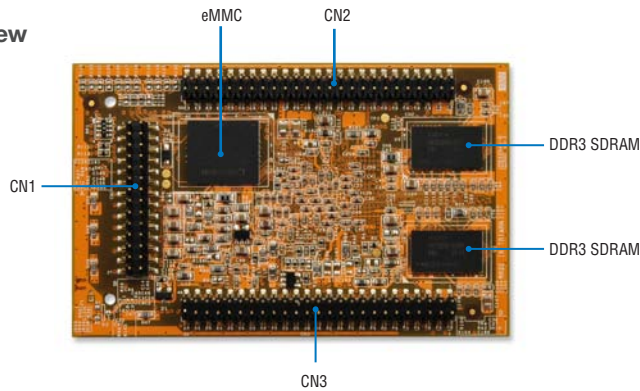


Front View



Rear View



Features

- Freescale i.MX537 Cortex A8 800MHz
- 1GB DDR3 SDRAM, 4GB eMMC Flash
- 24-bit LCD LVDS x 2
- Analog VGA x 1
- Support full HD 1080p video decode
- Support OpenGL 2.0 & OpenVG 1.1
- 1 x 10/100Mbps Ethernet with PHY
- 4 x UART ports
- 1 x USB 2.0 host and 1 x USB OTG
- SATA, SD, SPI, I2C, I2S, 1-Wire, GPIO and CAN 2.0
- OS: Linux

H/W Specifications

System

- CPU: Freescale i.MX537 Cortex A8 800MHz
- Memory: 1GB DDR3 SDRAM, 4GB eMMC Flash
- LCD: 24-bit LCD LVDS x 2 up to 1600 x 1200 pixels
- VGA: Analog VGA out x 1 (Sync. with LVDS port0)
- Multimedia: 1080p Full HD
- 2D / 3D Accelerator: OpenGL 1.1 & 2.0, OpenVG 1.1
- RTC: Yes
- Watchdog: Yes
- Battery: External

Network Interface

- Type: 1 x 10/100Mbps Ethernet with PHY

UART

- 3 x 921.6Kbps
- COM 1: TX, RX, RTS, CTS, DCD, DSR, DTR, GND
- COM 2: TX, RX, RTS, CTS, DCD, DSR, DTR, GND
- COM 3: TX, RX, RTS, CTS, GND
- COM 4 (Serial Console): TX, RX, GND

USB Ports

- Host Port: 1
- Speed: USB 2.0 compliant, supports high-speed mode (480Mbps)
- Host OTG Port: 1

General

- SD card interface x 1, Up to 32GB
- SATA x 1
- Touch Screen: 4 wires
- CAN bus x 2, CAN 2.0
- Serial Interface: I2C x 1, I2S x 1, SPI x 1

Ordering Information

- **M-5360A**
i.MX537 Cortex A8 System on Module

Function Block

