



TRP-C24H Isolated 16-channel Open Collector Modbus TCP Module

- Power/Link/16 CH DO LED indicator.
- DIN-Rail and panel mount support.
- Dual power input select from screw terminal or DC-Jack.

Specifications

- Power Input Voltage DC +10V to +30V.
- Protocol: TRP-ASCII and Modbus RTU/ASCII.
- Digital output maximum voltage: +30V.
- Digital output maximum current: 100mA.
- Digital output isolation: 3750Vrms.
- Communication interface: Ethernet RJ45.
- Configuration mode: Trycom Device Manager, WEB settings.
- Matching remote control: with TRP-C26H.
- Heart Beat: TCP Port sent string every 5 seconds.
- TCP Maximum Connection: 1~16.
- Module ID : 1~255.
- Connection type: Screw terminal for maximum AWG 12 wire.
- Power supply: Screw terminal, or external DC adapter.
- Power consumption 240mA/12V.
- Operating environment: 0 to 50°C.
- Storage temperature: -10 to 70°C.
- Humidity: 10~90% Non-condensing.
- Dimension: 151mm X 75mm X 26mm .
- Weight: 395g .

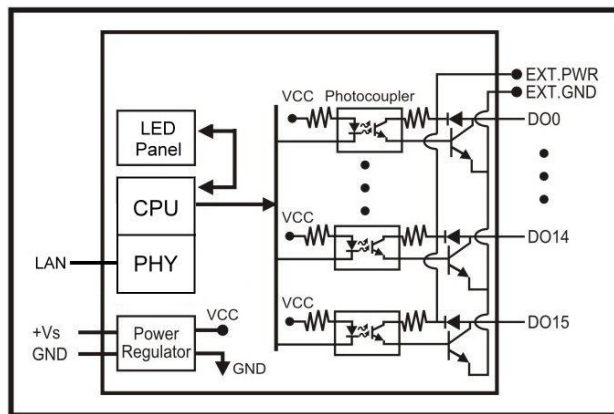
Introduction

TRP-C24H an Isolated open collector digital outputs Modbus TCP Module, provides 16 channels that allow you output open collector signal (100mA) to driven your devices on network, it supports 3 communication Protocol, TRP-ASCII, Modbus RTU / ASCII, TRP-C24H can be easy and convenient to use application supports Modbus. Software engineers can use the TRP-ASCII or Modbus RTU command set quickly and easily integrated into the self-development program, such as Microsoft VB, VC... The TRP-C24H built-in independent IP, WEB-browsing more convenient to rewrite the configuration and collect information through computers, tablet computers, smart phones, will be available! TRP-C24H built-in watchdog function to ensure the normal operation of the module, and a built-in voltage monitoring to ensure that the boot, excellent and advanced hardware for harsh environment. TRP-C24H with TRP-C26H, 16 remote control directly, do not need to run the software and equipment. TRP-C24H also offers the maximum connection 16 host client to link the network server that is easy to operate in Modscan32 ,Modbus Poll,CAS Modbus Scanner and SCADA ...application uses TCP mode and Virtual-COM mode.

Features

- Wide input range DC power supply.
- Automatically determine 3 TRP-ASCII and Modbus RTU/ASCII communication protocol.
- 16 TCP Port can be open at the same time.
- Heart Beat function ensures a reliable communicating connection.
- Support Virtual-COM mode.
- IO status can be set in the boot!
- WEB PAGE can be directly output and read IO status.
- Easily update the firmware using the Internet.
- Back to factory configuration by external touch Button.
- Auto reconnection when power or Ethernet fail.
- Digital output signal with 3750Vrms isolation protection.
- Built-In watchdog function prevents system boot fail.
- LED for each I/O channels working status.
- Support Auto-MDIX twisted pair crossover detection and Auto-Correction.

Block Diagram



Application Note

