



TRP-C26 Isolated 16 CH. DI RS485 Module

Specifications

- Power Input Voltage: DC +10V to +30V.
- Protocol: ASCII and Modbus RTU.
- Input channel: 16 digital input channels with counter.
- Input digital input counter: 0~65535.
- Input optical isolation: 3750 Vrms.
- Input logical level 0 +1V (max).
- Input logical level 1 +4.0V ~ +30V.
- Communication interface: RS-485 differential 2 half.duples wires.
- Communication speed: Baud rate from 1200bps to 115.2Kbps.
- Data format: Data bit: 8, Parity Check: None Stop Bit: 1 .
- Input impedance: 3KΩ.
- Inputs can be use as counter channel: 16.
- Counter frequency: 100 Hz.
- Dual watchdog Hardware reset circuit, module and host operating status.
- Signal LED: Power on, all input channels
- Power supply: Screw terminal, or standard external DC adapter
- Power consumption: 1.5W (max)
- Operating environment: -10 to 50°C.
- Storage temperature: -20 to 70°C .
- Humidity: 10-90% non-condensing.
- Dimension: 151mm X 75mm X 26mm .
- Weight: 395g .

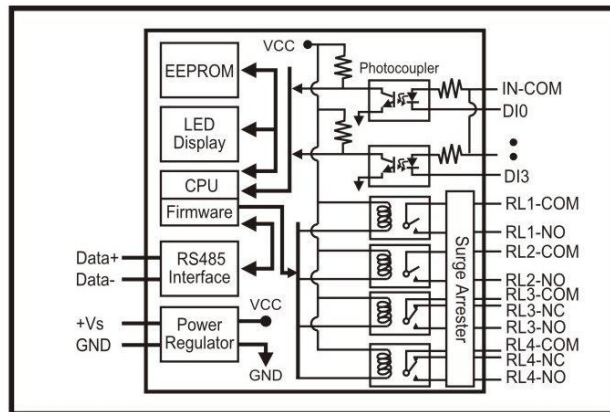
Introduction

TRP-C26 provides 16 optical isolated digital input channels that allow you to input the logic signal from 0 to 30V DC. All channel features screw terminals for convenient connection of field signals as well as LED's to indicate channel status. All inputs are equipped with photo-couplers to protect the module against high voltage spikes, as well as ground potential differences. For easy user access, TRP-C26 can enter configuration mode and self-test mode with outer dip-switch. TRP-C26 support both ASCII and Modbus protocol, with a full set of command, dual watchdog, and auto reset function the module can be remote controlled by PC in ASCII or Modbus RTU protocol .

Features

- Wide input range DC power supply..
- Support ASCII and Modbus RTU protocol.
- Supports baud rates from 1.2Kbps to 115.2 Kbps.
- All 16 channels digital input ca be used as counter.
- Digital output signal with 3750Vrms isolation protection.
- Dual watchdog: Module's firmware, host computer traffic.
- LED for each channels working status.
- DIN rail and panel mount support.
- Configured and self-test by outer dip-switch.
- Support screw terminal and external DC power adaptor.

Block Diagram



Application Note

