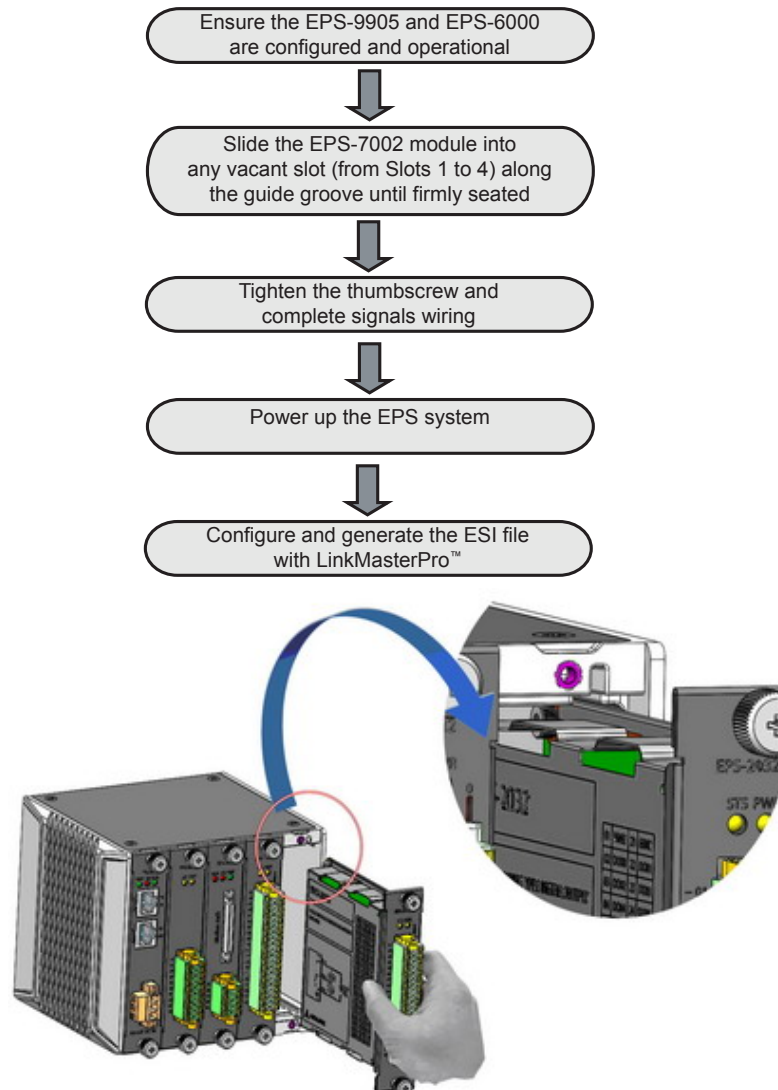


EPS-7002

Remote 2CH Pulse Train Motion Control Module for EtherCAT

Getting Started



Specifications

Channels	2
Output Frequency	4MHz
Output Modes	CW/CCW, OUT/DIR
Encoder Input Channels	2
Encoder Input Frequency	20MHz @ 4xAB
Encoder Input Modes	CW/CCW, 1x/2x/4x AB Phase
Encoder Input Type	TTL, Incremental
Motion I/O Interface	PEL, MEL, ORG
Servo I/O Interface	ALM, INP, RDY, SVON, ERC, RST
Input Type	Sinking
Input Current	IEC 61131-2, Type 1/3
Output Current (Single Node) (Sinking / Sourcing)	50mA
Power Consumption from Chassis	< 450mW (max.)
Thermal Dissipation (at max temp.)	< 2.55W (max.) @ EVCC=24V+10%
Isolation (Channel-to-DGND)	2kV (DC)
Isolation (Channel-to-Chassis)	2kV (DC)

Features

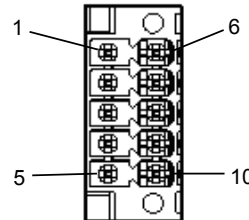
- 2CH pulse train motion control
- Operable in -20°C to 60°C environments
- IEC 61131 and CiA402 compliant
- Hot swappable under sustained power
- Compact 100 (L) x 100 (H) mm size
- Module temperature self-diagnostics

Connectors

- Phoenix Contact, DFMC series, 1787195, pitch=3.5mm, 2x5 pin, AWG 16-24 gauge
- SCSI VHDCI 68p
- Y cable accessory for servo connection

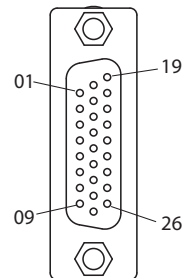
Motion I/O

Pin	Description	Pin	Description	Pin	Description
01	GND	05	GND	08	COM
02	MEL1	06	PEL1	09	ORG2
03	PEL2	07	ORG1	10	EMG
04	MEL2				



D-Sub 26p (Y-cable accessory)

Pin	Name	I/O	Function
1	SVON	O	Servo On signal
2	INP	I	In-position signal
3	ERC	O	Dev ctr, clr. Signal
4	RDY	I	Servo ready signal
5	OUT-	O	Pulse signal (-)
6	OUT+	O	Pulse signal (+)
7	EA-	I	Encoder A-phase(-)
8	EA+	I	Encoder A-phase(+)
9	Rsv	-	Reserved
10	RST	O	Reset driver signal
11	ALM	I	Servo alarm signal
12	COM	-	Ext. power supply, +24V
13	GND	-	Ext. power ground
14	Rsv	-	Reserved
15	GND	-	Ext. power ground
16	EB-	I	Encoder B-phase(-)
17	EB+	I	Encoder B-phase(+)
18	GND	-	Ext. power ground
19	EMG	O	Emergency signal
20	GND	-	Ext. power ground
21	GND	-	Ext. power ground
22	GND	-	Ext. power ground
23	DIR-	O	Dir. Signal(-)
24	DIR+	O	Dir. Signal(+)
25	EZ-	I	Encoder Z-phase(-)
26	EZ+	I	Encoder Z-phase(+)

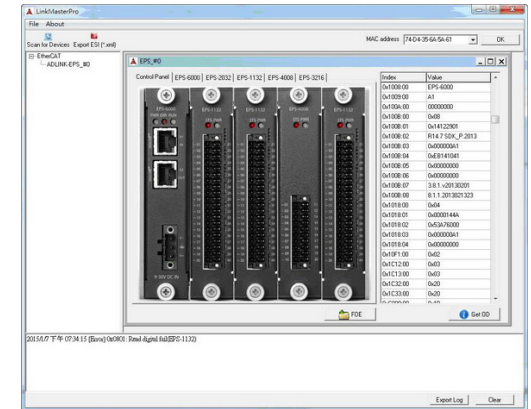


LED Indicators

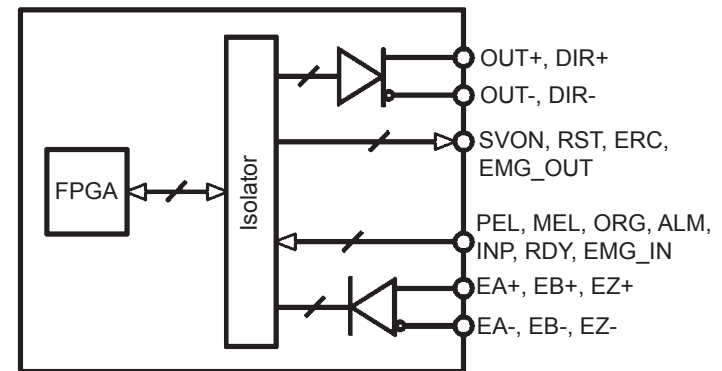
Name	Status	Function
EMG	Lit	Emergency Stop Input
STS	Blinking	Temperature Protection Module Present
PWR	Lit	Module Power Status

Configuration & ESI Generation

LinkMasterPro™ is a Windows-based utility from ADLINK, helping configuration of the entire EPS system and generating corresponding EtherCAT slave information (referred to ESI) in XML format. LinkMasterPro™ automatically detects installed EPS modules and evaluates functionality of the EPS system.



Signal Connection



Contact ADLINK

Web: <http://www.adlinktech.com>
 Service: service@adlinktech.com

Tel: +886-2-8226-5877
 Fax: +886-2-8226-3337

Copyright 2015 ADLINK Technology, Inc.
 Contents and specifications subject to change without notice.



Advance Technologies
 Automate the World