

HSL Terminal Bases for HSL System

Features

- ◆ Field I/O wiring connection for HSL I/O modules
- ◆ Screw terminal for easy field wiring
- ◆ Power and ground included for each signal channel
- ◆ Interlocking design for rugged installation
- ◆ Power LED indicator
- ◆ DIN rail mounting
- ◆ Terminator resistor on board

Specifications

HSL-TB64-DIN						
Module Support	Max. Channel Support (Terminal No.)	Full-duplex RS-422 Communication In/Out	Wire Gauge		Power	Weight
			Max.	Min.		
All the HSL – DB type daughter boards x2	64 (192)	RJ45	14 AWG	24 AWG	10 ~ 30 VDC	600g

HSL-TB32-U-DIN						
Module Support	Max. Channel Support (Terminal No.)	Full-duplex RS-422 Communication In/Out	Wire Gauge		Power	Weight
			Max.	Min.		
All the HSL – DB type daughter boards	32 (96)	RJ45	14 AWG	24 AWG	10 ~ 30 VDC	420g

HSL-TB32-DIN								
Module Support	Max. Channel Support (Terminal No.)	Discrete Output		Full-duplex RS-422 Communication In/Out	Wire Gauge		Power	Weight
		Max. Load	Protection		Max.	Min.		
HSL-DI16DO16-DB-NN HSL-DI16DO16-DB-PN	32 (96)	300 mA/ch	Short Inductive load	RJ45	14 AWG	24 AWG	10 ~ 30 VDC	420g

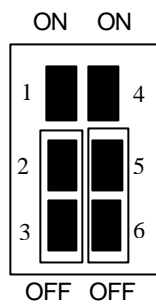
HSL-TB32-DO-DIN								
Module Support	Max. Channel Support (Terminal No.)	Discrete Output		Full-duplex RS-422 Communication In/Out	Wire Gauge		Power	Weight
		Max. Load	Protection		Max.	Min.		
HSL-DO32-DB-N	32 (64)	300 mA/ch	Short Inductive load	RJ45	14 AWG	24 AWG	10 ~ 30 VDC	420g

HSL-TB32-M-DIN						
Module Support	Max. Channel Support (Terminal No.)	Full-duplex RS-422 Communication In/Out	Wire Gauge		Power	Weight
			Max.	Min.		
All the HSL – M type modules	32 (96)	RJ45	20 AWG	28 AWG	10 ~ 30 VDC	186g

Jumper Setting

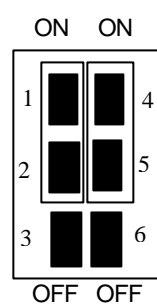
HSL-TB64-DIN

Not the last module (Default)

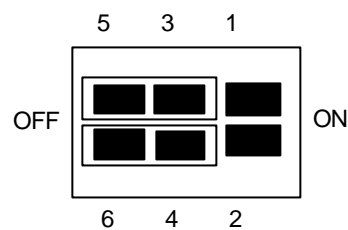


HSL-TB32-U-DIN; HSL-TB32-U-DIN; HSL-TB32-DO-DIN

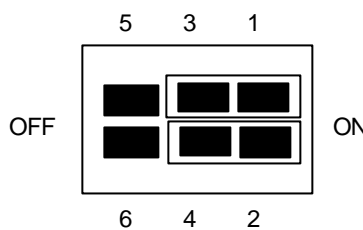
The last module



Not the last module (Default)

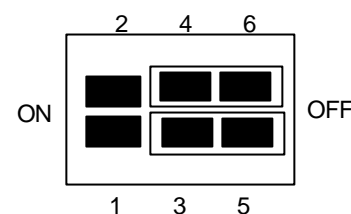


The last module

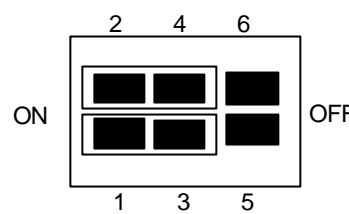


HSL-TB32-M-DIN

Not the last module (Default)



The last module



Ordering Information

Terminal Base for HSL – DB Daughter Boards

- HSL-TB64-DIN: 64-CH I/O Terminal Base with DIN Socket
- HSL-TB32-U-DIN: 32-CH I/O Terminal Base with DIN Socket
- HSL-TB32-DIN: 32-CH I/O Terminal Base for HSL-DI16DO16-DB-NN (PN) with DIN Socket
- HSL-TB32-DO-DIN: 32-CH I/O Terminal Base for HSL-DO32-DB-N with DIN Socket

Terminal Base for HSL – M Modules

- HSL-TB32-M-DIN: 32-CH I/O Terminal Base with DIN Socket

ADLINK on the Internet

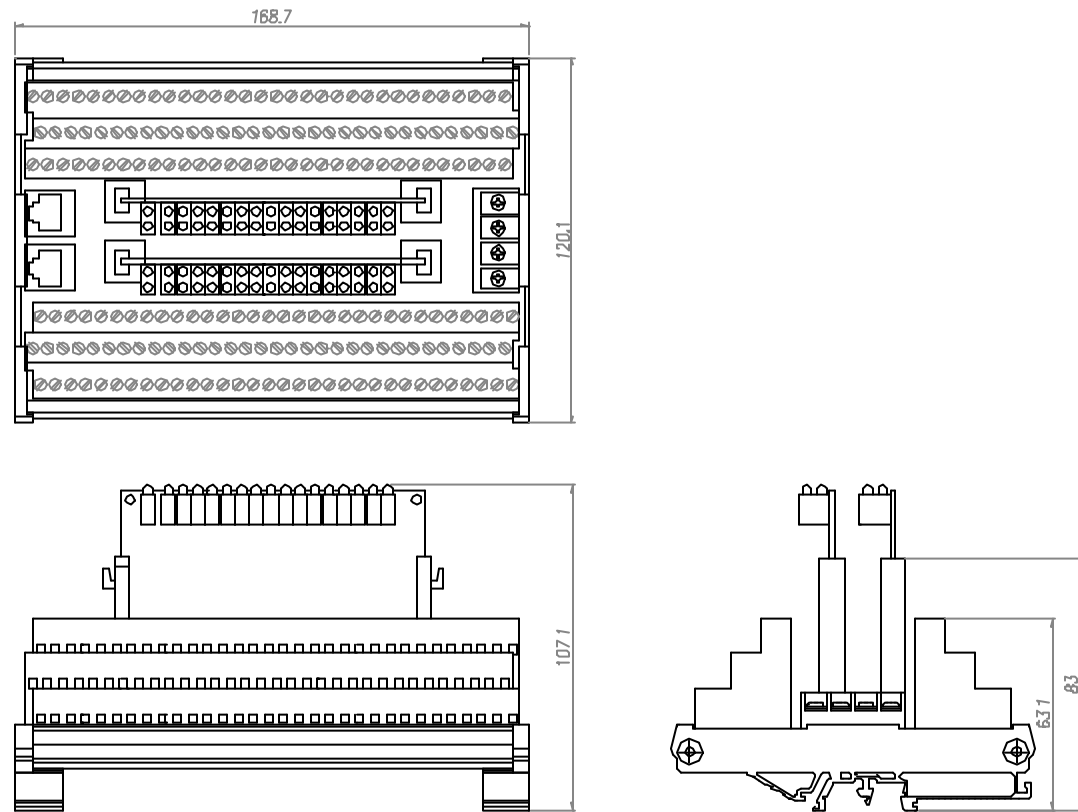
- Homepage: <http://www.adlink.com.tw>
- Service: service@adlink.com.tw
- Technical Assistance: NuDAM@adlink.com.tw

Copyright © 2001 ADLINK TECHNOLOGY INC.
 TEL: 886-2-82265877 FAX: 886-2-82265717
 Contents and specification subject to change without notice.
 NuDAM® is a registered trademark of ADLINK TECHNOLOGY INC. Other brands of products are trademarks or registered trademarks of their respective holders.
AM-HSLTB001-E1.00

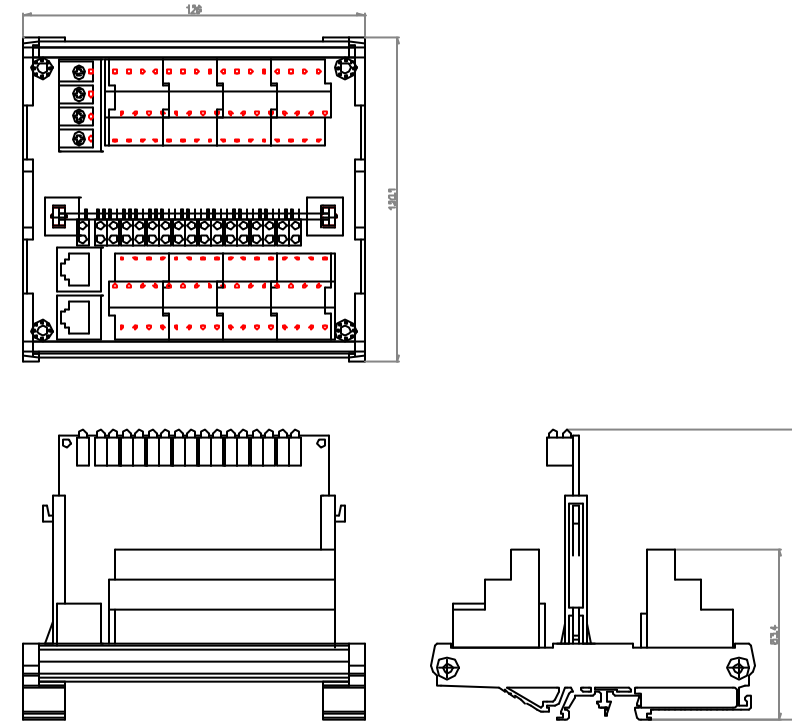


Dimension

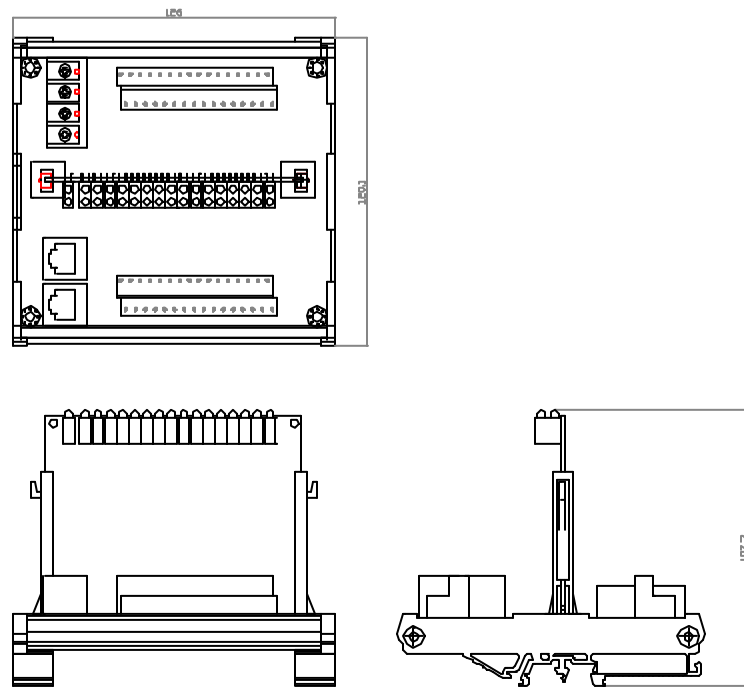
HSL-TB64-DIN with -DB daughter boards (168.7x120.1x107.1)



HSL-TB32-DIN or HSL-TB32-U-DIN with -DB daughter board (126x120.1x107.3)



HSL-TB32-DO-DIN with HSL-DO32-DB-N daughter boards (168.7x120.1x107.3)



HSL-TB32-M-DIN with -M module (128.5x85.5x108)

