

M-5360-A i.MX53 Cortex A8 System on Module

Features:

- Freescale i.MX537 Cortex A8 800MHz
- 1GB DDR3 RAM
- 4GB eMMC Flash
- 24-bit LCD LVDS x2
- Analog VGA x1
- Support full HD 1080P video decode
- Support OpenGL 2.0 & Open-VG 1.1
- 10/100 Mbps Ethernet x1 with Phy
- UART ports x4
- USB 2.0 host and USB OTG
- SATA,SD,SPI,I2C,I2S,1-Wire,GPIO and CAN 2.0
- OS: Linux, Android and Window Compact 7.0

Specification:

CPU: Freescale i.MX537 Cortex A8 800MHz

RAM: 1GB DDR3 RAM

Flash: 4GB eMMC

LCD: 24-bit LCD LVDS x2

VGA: Analog VGA out x1 (Sync. with LVDS port0)

Multimedia: 1080P

2D/3D Accelerator: OpenGL1.1&2.0 OpenVG 1.1

RTC: Yes

Watchdog: Yes

Battery: external

UART:

COM1: TX, RX, RTS, CTS, DCD, DSR, DTR, GND

COM2: TX, RX, RTS, CTS, DCD, DSR, DTR, GND

COM3: TX, RX, RTS, CTS, GND

COM4 (serial console): TX, RX, GND

Ethernet: 10/100 Mbps x1 with Phy

USB Host x1

USB OTG x1

SD x1

SATA x1

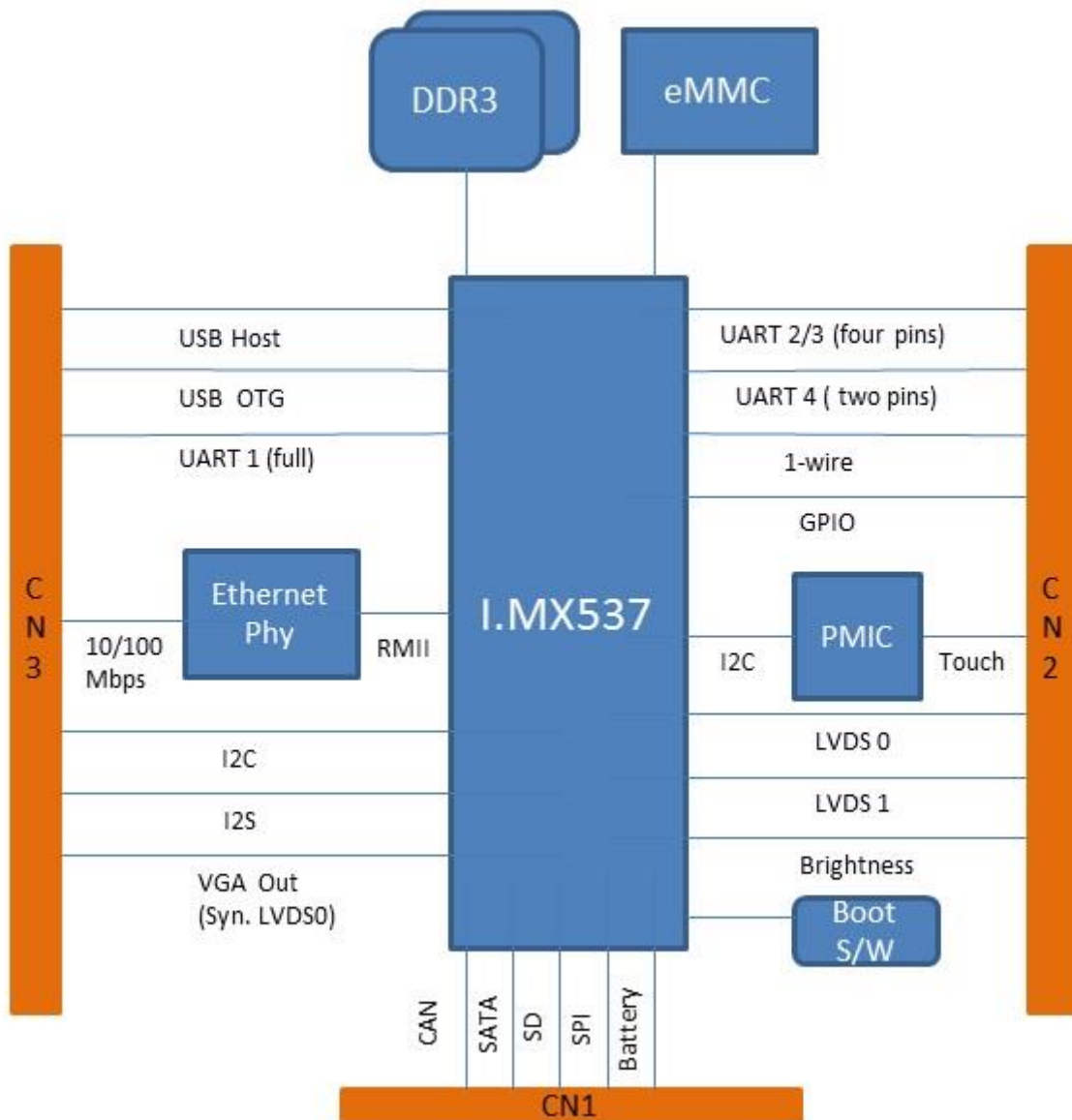
Touch screen: 4 wires

I2C x1, I2Sx1, SPIx1

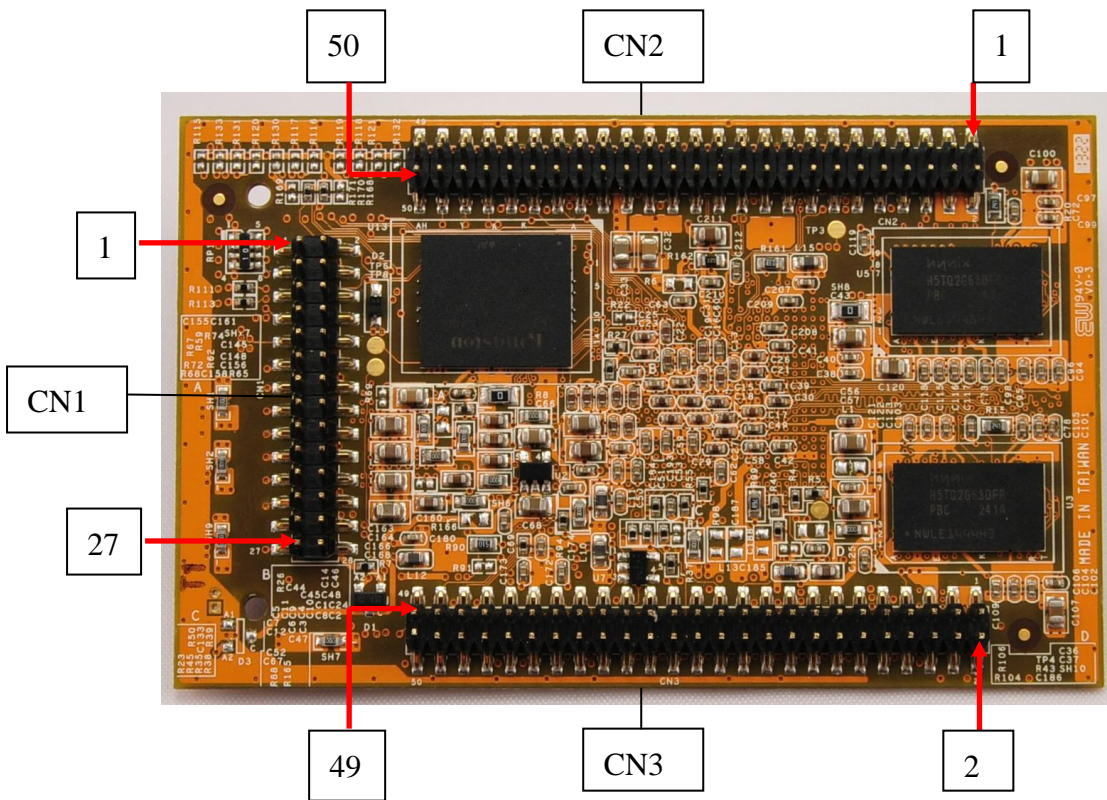
CAN bus x1

Power: 5VDC and 3.3VDC

Function block:

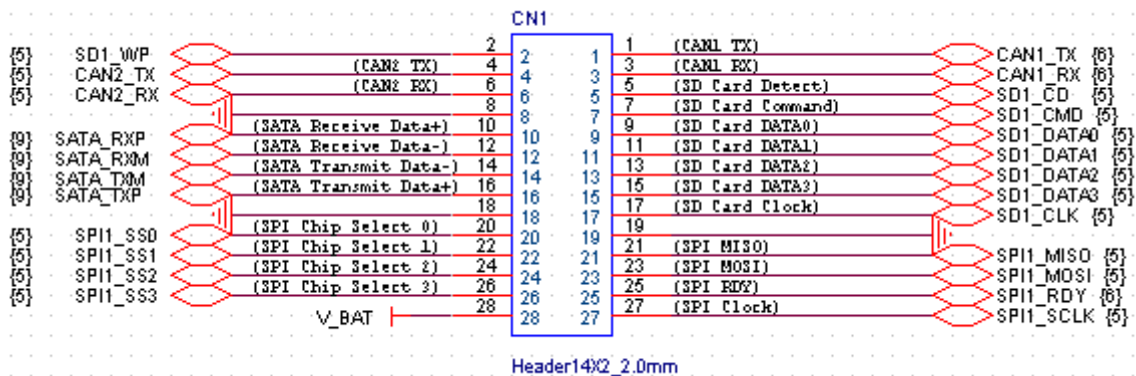


M-5360-A Layout



M-5360-A B2B Connector Pin Assignment

CN1_Connector

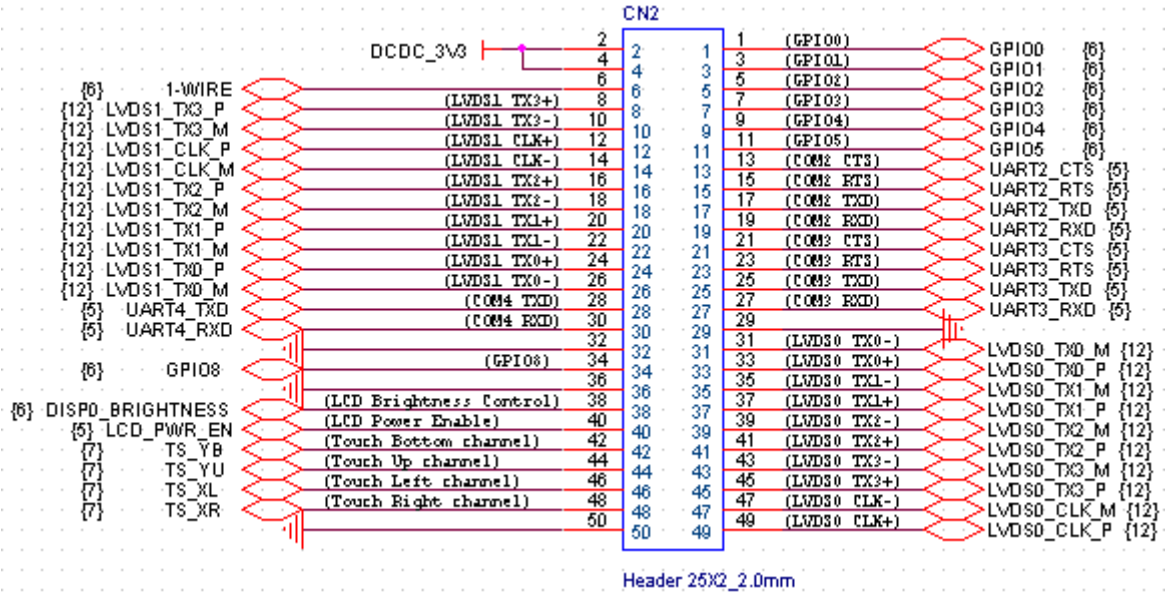


CN1 Pin Description List (Header 14x2 SMD Type)

Pin No.	Pin name	Function	Connect to
1	CAN1_TX	CAN1 Output	CAN Port
2	SD1_WP	SD card write protect	SD CARD
3	CAN1_RX	CAN1 Input	CAN Port
4	CAN2_TX	CAN2 Output	CAN Port
5	SD1_CD	SD card detect signal channel 1	SD CARD
6	CAN2_RX	CAN2 Input	CAN Port
7	SD1_CMD	SD command signal channel 1	SD CARD
8	GND	GND	GND
9	SD1_DATA0	SD data signal 0 channel 1	SD CARD
10	SATA_RXP	SATA Receive Data+	SATA Port
11	SD1_DATA1	SD data signal 1 channel 1	SD CARD
12	SATA_RXM	SATA Receive Data-	SATA Port
13	SD1_DATA2	SD data signal 2 channel 1	SD CARD
14	SATA_TXM	SATA Transmit Data-	SATA Port
15	SD1_DATA3	SD data signal 3 channel 1	SD CARD
16	SATA_TXP	SATA Transmit Data+	SATA Port
17	SD1_CLK	SD clock signal channel 1	SD CARD
18	GND	GND	GND
19	GND	GND	GND
20	SPI1_SS0	SPI Chip Select 0	SPI Conn.
21	SPI1_MISO	SPI Master In Slave Out	SPI Conn.
22	SPI1_SS1	SPI Chip Select 1	SPI Conn.
23	SPI1_MOSI	SPI Master Out Slave In	SPI Conn.
24	SPI1_SS2	SPI Chip Select 2	SPI Conn.
25	SPI1_RDY	SPI Ready Signal	SPI Conn.

26	SPI1_SS3	SPI Chip Select 3	SPI Conn.
27	SPI1_SCLK	SPI Serial Clock	SPI Conn.
28	V_BAT	Backup Battery Power	Battery Holder

CN2_Connector



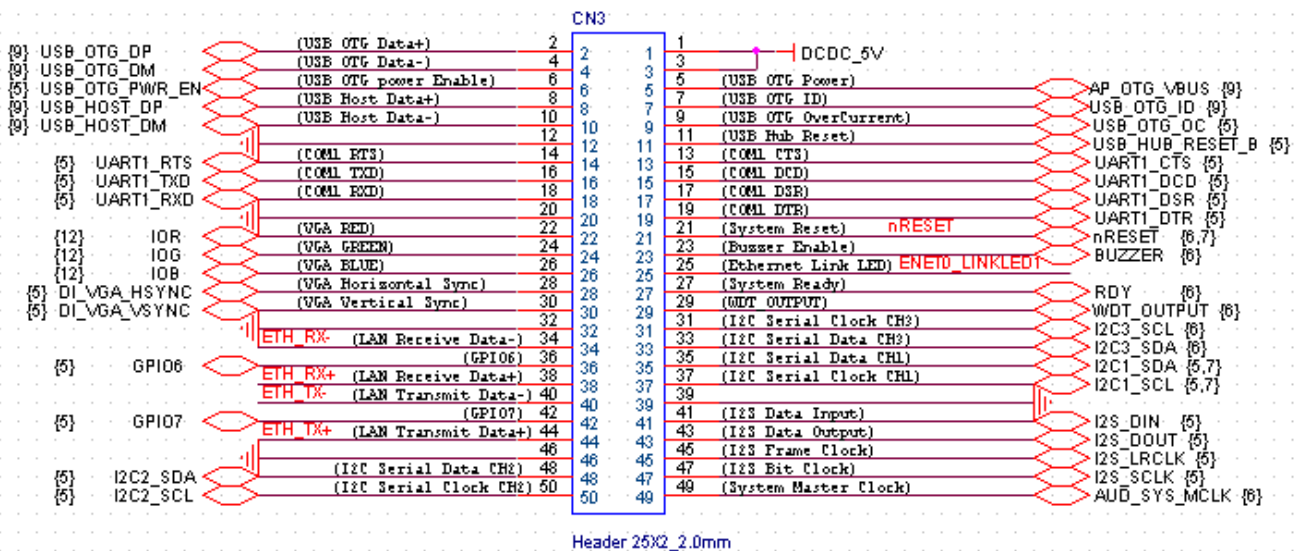
CN2 Pin Description List (Header 25x2 SMD Type)

Pin No.	Pin name	Function	Connect to
1	GPIO0	GPIO	GPIO Port
2	DCDC_3V3	VCC 3.3V	POWER
3	GPIO1	GPIO	GPIO Port
4	DCDC_3V3	VCC 3.3V	POWER
5	GPIO2	GPIO	GPIO Port
6	1-WIRE	1-WIRE signal	1-WIRE Port
7	GPIO3	GPIO	GPIO Port
8	LVDS1_TX3_P	LVDS1 Transmit positive signal channel 3	LVDS Port
9	GPIO4	GPIO	GPIO Port
10	LVDS1_TX3_M	LVDS1 Transmit negative signal channel 3	LVDS Port
11	GPIO5	GPIO	GPIO Port
12	LVDS1_CLK_P	LVDS1 positive signal clock	LVDS Port
13	UART2_CTS	UART2 Clear to send	COM Port
14	LVDS1_CLK_M	LVDS1 negative signal clock	LVDS Port
15	UART2_RTS	UART2 Request to send	COM Port

16	LVDS1_TX2_P	LVDS1 Transmit positive signal channel 2	LVDS Port
17	UART2_TXD	UART2 Serial data transmit	COM Port
18	LVDS1_TX2_M	LVDS1 Transmit negative signal channel 2	LVDS Port
19	UART2_RXD	UART2 Serial data receive	COM Port
20	LVDS1_TX1_P	LVDS1 Transmit positive signal channel 1	LVDS Port
21	UART3_CTS	UART3 Clear to send	COM Port
22	LVDS1_TX1_M	LVDS1 Transmit negative signal channel 1	LVDS Port
23	UART3_RTS	UART3 Request to send	COM Port
24	LVDS1_TX0_P	LVDS1 Transmit positive signal channel 0	LVDS Port
25	UART3_TXD	UART3 Serial data transmit	COM Port
26	LVDS1_TX0_M	LVDS1 Transmit negative signal channel 0	LVDS Port
27	UART3_RXD	UART3 Serial data receive	COM Port
28	UART4_TXD	UART4 Serial data transmit	Console PORT
29	GND	GND	GND
30	UART4_RXD	UART4 Serial data receive	Console PORT
31	LVDS0_TX0_M	LVDS0 Transmit negative signal channel 0	LVDS Port
32	GND	GND	GND
33	LVDS0_TX0_P	LVDS0 Transmit positive signal channel 0	LVDS Port
34	GPIO8	GPIO	GPIO Port
35	LVDS0_TX1_M	LVDS0 Transmit negative signal channel 1	LVDS Port
36	GND	GND	GND
37	LVDS0_TX1_P	LVDS0 Transmit positive signal channel 1	LVDS Port
38	DISP0_BRIGHTNESS	Adjust the LCD brightness	LCD B/L Port
39	LVDS0_TX2_M	LVDS0 Transmit negative signal channel 2	LVDS Port
40	LCD_PWR_EN	LCD B/L ON/OFF Control	LCD B/L Port
41	LVDS0_TX2_P	LVDS0 Transmit positive signal channel 2	LVDS Port
42	TS_YB	Touch Screen Bottom channel	Touch Screen

43	LVDS0_TX3_M	LVDS0 Transmit negative signal channel 3	LVDS Port
44	TS_YU	Touch Screen Top channel	Touch Screen
45	LVDS0_TX3_P	LVDS0 Transmit positive signal channel 3	LVDS Port
46	TS_XL	Touch Screen Left channel	Touch Screen
47	LVDS0_CLK_M	LVDS0 negative signal clock	LVDS Port
48	TS_XR	Touch Screen Right channel	Touch Screen
49	LVDS0_CLK_P	LVDS0 positive signal clock	LVDS Port
50	GND	GND	GND

CN3_Connector

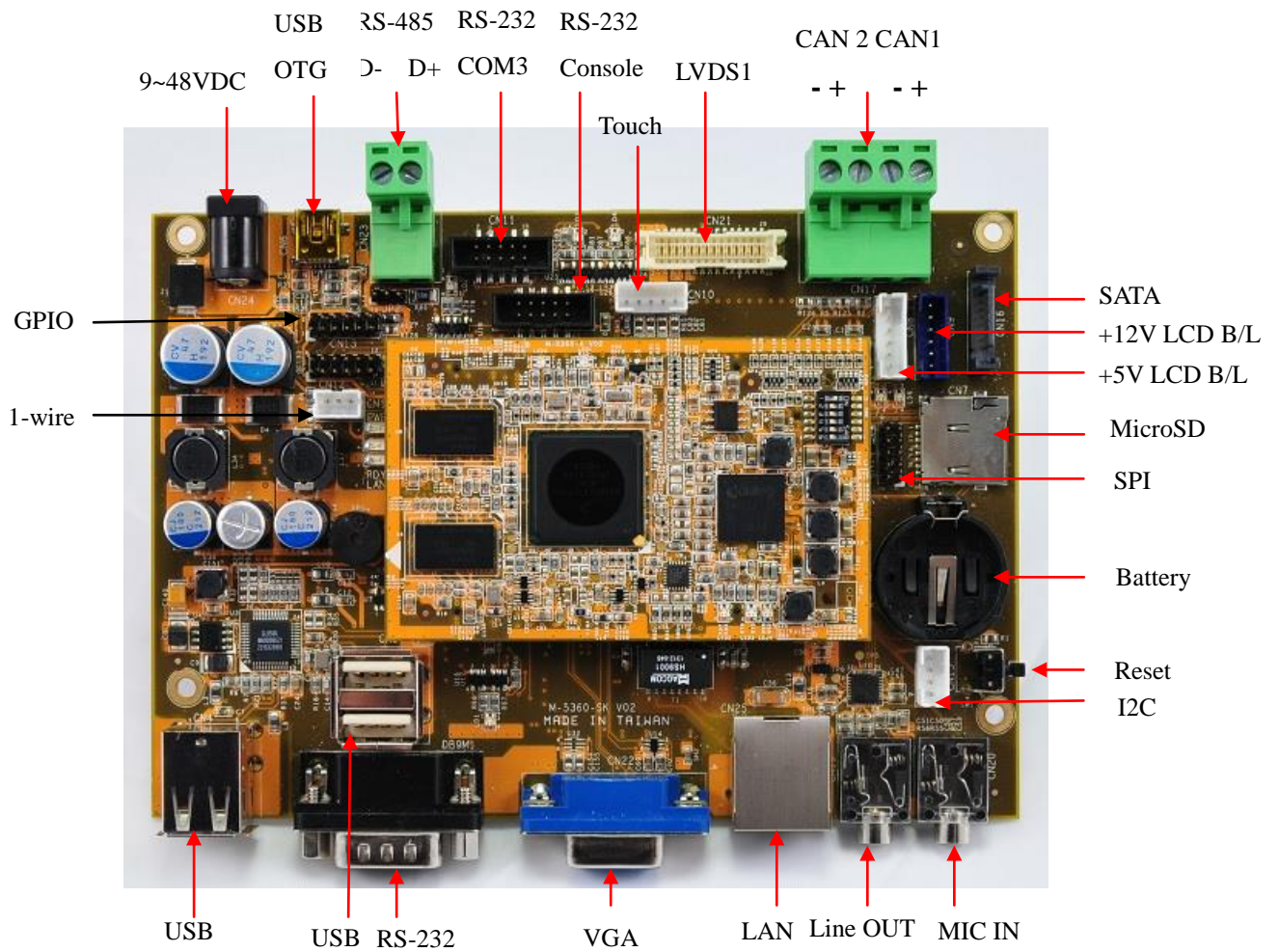


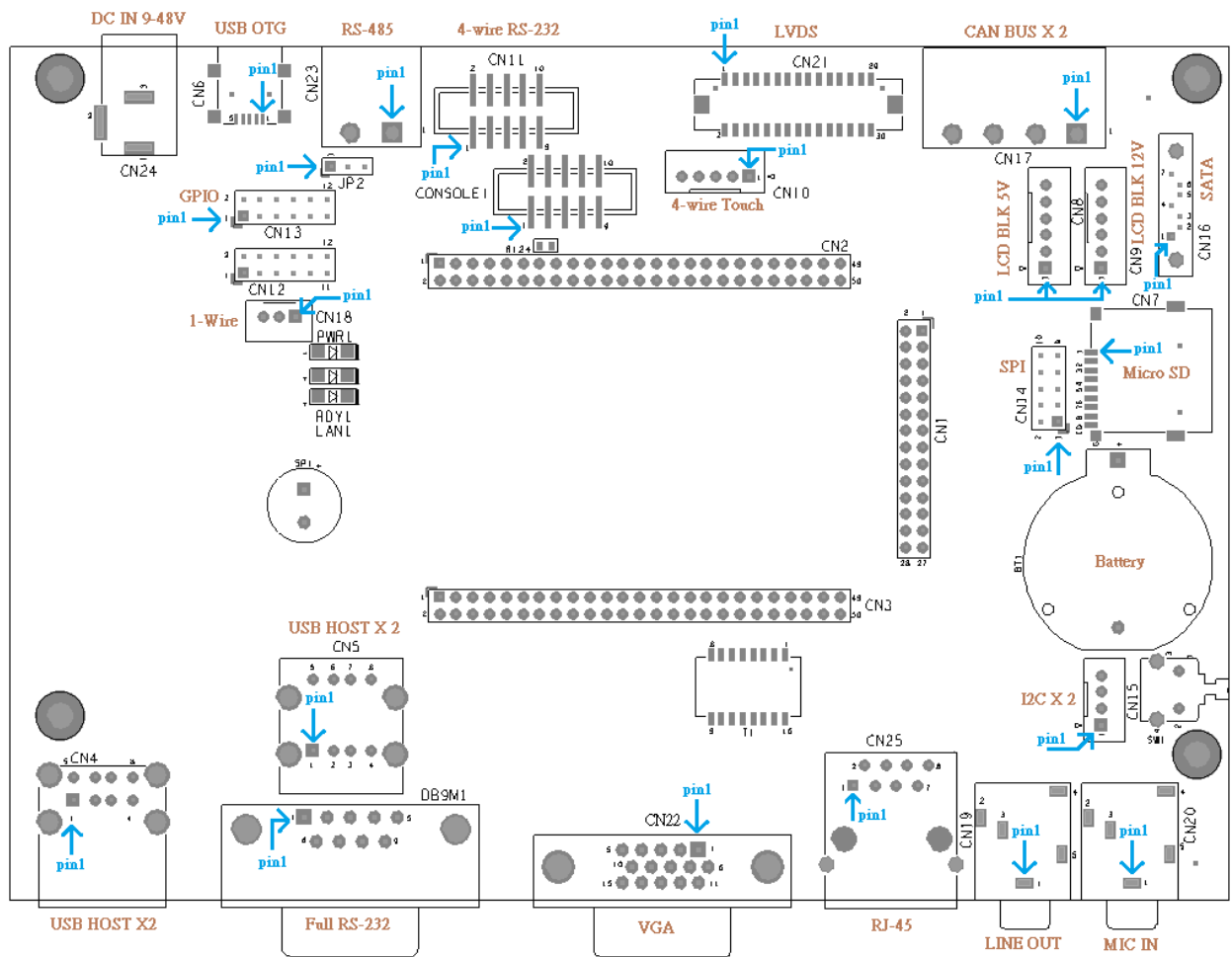
CN3 Pin Description List (Header 25x2 SMD Type)			
Pin No.	Pin name	Function	Connect to
1	DCDC_5V	VCC5V	POWER
2	USB_OTG_DP	USB OTG Port Data+	USB Client
3	DCDC_5V	VCC5V	POWER
4	USB_OTG_DM	USB OTG Port Data-	USB Client
5	AP_OTG_VBUS	USB OTG VBUS signal	USB Client
6	USB_OTG_PWR_EN	USB_OTG Power Enable	USB Client
7	USB_OTG_ID	USB OTG ID signal	USB Client
8	USB_HOST_DP	USB HOST Port Data+	USB Hub
9	USB_OTG_OC	USB OTG OverCurrent signal	USB Client
10	USB_HOST_DM	USB HOST Port Data-	USB Hub
11	USB_HUB_RESET_B	USB HUB Reset signal	USB Hub
12	GND	GND	GND

13	UART1_CTS	UART1 Clear to send	COM Port
14	UART1_RTS	UART1 Request to send	COM Port
15	UART1_DCD	UART1 Data carrier detected	COM Port
16	UART1_TXD	UART1 Serial data transmit	COM Port
17	UART1_DSR	UART1 Data set ready	COM Port
18	UART1_RXD	UART1 Serial data receive	COM Port
19	UART1_DTR	UART1 Data terminal ready	COM Port
20	GND	GND	GND
21	nRESET	HW/System Reset signal	Reset Button
22	IOR	VGA_RED	VGA Port
23	BUZZER	BUZZER I/O	BUZZER
24	IOG	VGA_GREEN	VGA Port
25	ENET0_LINKLED1	Ethernet Link/Active LED signal	LAN LED
26	IOB	VGA_BLUE	VGA Port
27	RDY	Ready LED I/O	Ready LED
28	DI_VGA_HSYNC	VGA Horizontal Sync	VGA Port
29	WDT_OUTPUT	WDT_OUTPUT Signal	GPIO Port
30	DI_VGA_VSYNC	VGA Vertical Sync	VGA Port
31	I2C3_SCL	I2C clock signal channel 3	I2C Conn.
32	GND	GND	GND
33	I2C3_SDA	I2C data signal channel 3	I2C Conn.
34	ETH_RX-	Ethernet Receive Data-	LAN Conn.
35	I2C1_SDA	I2C data signal channel 1	I2C Conn.
36	GPIO6	GPIO	GPIO Port
37	I2C1_SCL	I2C clock signal channel 1	I2C Conn.
38	ETH_RX+	Ethernet Receive Data+	LAN Conn.
39	GND	GND	GND
40	ETH_TX-	Ethernet Transmit Data-	LAN Conn.
41	I2S_DIN	I2S Data Input signal	Audio Codec
42	GPIO7	GPIO	GPIO Port
43	I2S_DOUT	I2S Data Output signal	Audio Codec
44	ETH_TX+	Ethernet Transmit Data+	LAN Conn.
45	I2S_LRCLK	I2S frame clock	Audio Codec
46	GND	GND	GND
47	I2S_SCLK	I2S bit clock	Audio Codec
48	I2C2_SDA	I2C data signal channel 2	Audio Codec
49	AUD_SYS_MCLK	Audio System master clock	Audio Codec
50	I2C2_SCL	I2C clock signal channel 2	Audio Codec

M-5360-ST Starter Kit

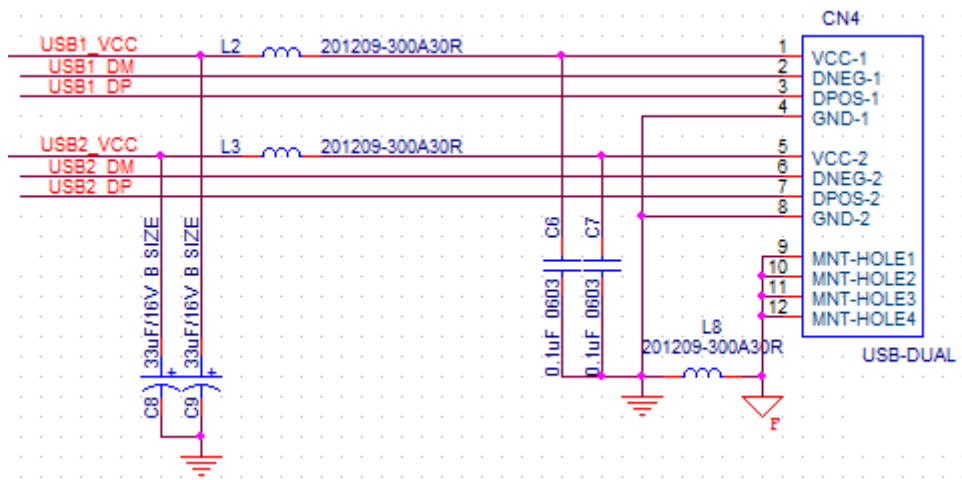
Layout





M-5360-SK Connector Pin Assignment

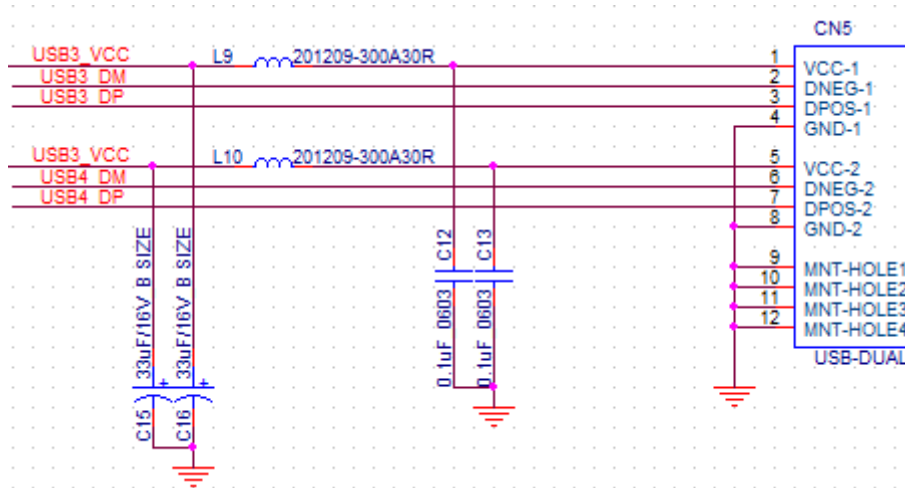
CN4 _USB Host



CN4 Pin Description List (90 degree Type)

Pin No.	Pin name	Function	Connect to
1	USB1_VCC	USB VCC5V channel 1	CN4
2	USB1_DM	USB negative data signal channel 1	CN4
3	USB1_DP	USB positive data signal channel 1	CN4
4	GND	GND	CN4
5	USB2_VCC	USB VCC5V channel 2	CN4
6	USB2_DM	USB negative data signal channel 1	CN4
7	USB2_DP	USB positive data signal channel 1	CN4
8	GND	GND	CN4
9	MNT-HOLE1	USB_SHIELD_GND	CN4
10	MNT-HOLE2	USB_SHIELD_GND	CN4
11	MNT-HOLE3	USB_SHIELD_GND	CN4
12	MNT-HOLE4	USB_SHIELD_GND	CN4

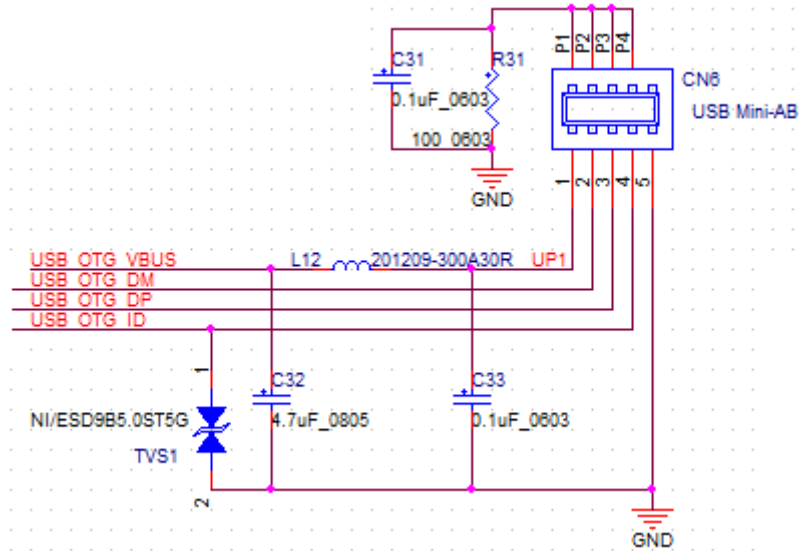
CN5 _USB Host



CN5 Pin Description List (180 degree Type)

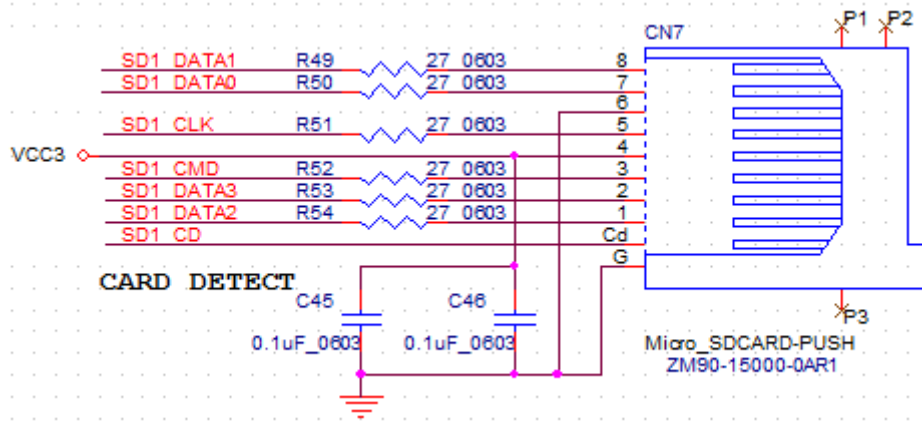
Pin No.	Pin name	Function	Connect to
1	USB3_VCC	USB VCC5V channel 3	CN5
2	USB3_DM	USB negative data signal channel 3	CN5
3	USB3_DP	USB positive data signal channel 3	CN5
4	GND	GND	CN5
5	USB4_VCC	USB VCC5V channel 4	CN5
6	USB4_DM	USB negative data signal channel 4	CN5
7	USB4_DP	USB positive data signal channel 4	CN5
8	GND	GND	CN5
9	MNT-HOLE1	USB_SHIELD_GND	CN5
10	MNT-HOLE2	USB_SHIELD_GND	CN5
11	MNT-HOLE3	USB_SHIELD_GND	CN5
12	MNT-HOLE4	USB_SHIELD_GND	CN5

CN6 _USB Device(OTG)



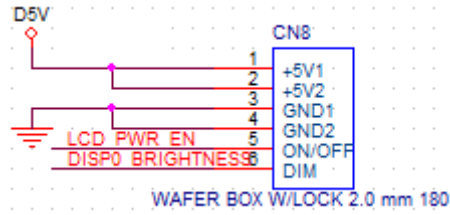
CN6 Pin Description List (Mini-AB Type)			
Pin No.	Pin name	Function	Connect to
1	USB_OTG_VBUS	USB_OTG VCC5V	CN6
2	USB_OTG_DM	USB_OTG negative data signal	CN6
3	USB_OTG_DP	USB_OTG positive data signal	CN6
4	USB_OTG_ID	USB_OTG_ID	CN6
5	GND	GND	CN6

CN7 _Micro_SD Socket



CN7 Pin Description List (Micro_SD Type)			
Pin No.	Pin name	Function	Connect to
1	SD1_DATA2	SD data signal 2 channel 1	CN7
2	SD1_DATA3	SD data signal 3 channel 1	CN7
3	SD1_CMD	SD command signal channel 1	CN7
4	VCC3	SD VCC 3.3V	CN7
5	SD1_CLK	SD clock signal channel 1	CN7
6	GND	GND	CN7
7	SD1_DATA0	SD data signal 0 channel 1	CN7
8	SD1_DATA1	SD data signal 1 channel 1	CN7
Cd	SD1_CD	SD card detect signal channel 1	CN7
G	GND	GND	CN7
P1	N.C	N.C	CN7
P2	N.C	N.C	CN7
P3	N.C	N.C	CN7

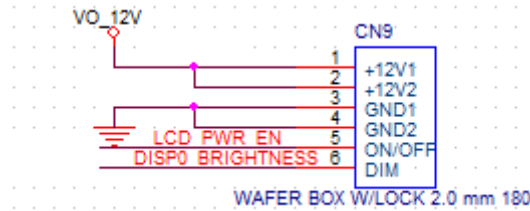
CN8_LCD Backlight Control Connector



CN8 Pin Description List (WAFER 6 Pin_Pitch 2.0mm)

Pin No.	Pin name	Function	Connect to
1	+5V	Voltage for LCD Backlight	CN8
2	+5V	Voltage for LCD Backlight	CN8
3	GND	Power Ground	CN8
4	GND	Power Ground	CN8
5	LCD_PWR_EN	LCD B/L ON/OFF Control	CN8
6	DISPO_BRIGHTNESS	Adjust the LCD brightness	CN8

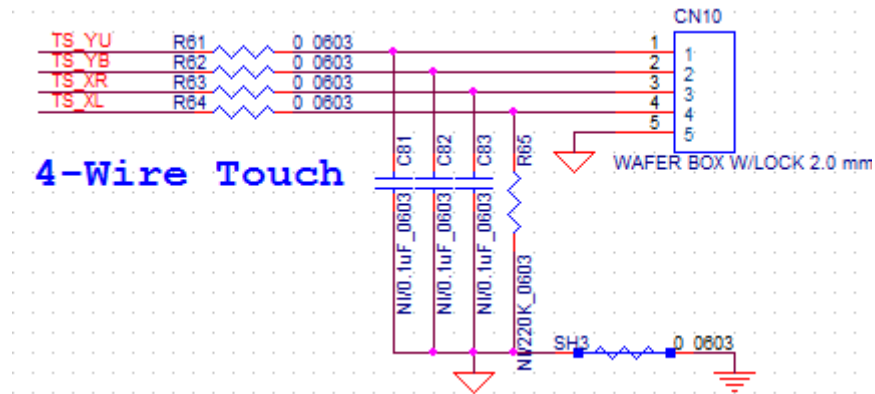
CN9_LCD Backlight Control Connector



CN9 Pin Description List (WAFER 6 Pin_Pitch 2.0mm)

Pin No.	Pin name	Function	Connect to
1	+12V	Voltage for LCD Backlight	CN9
2	+12V	Voltage for LCD Backlight	CN9
3	GND	Power Ground	CN9
4	GND	Power Ground	CN9
5	LCD_PWR_EN	LCD B/L ON/OFF Control	CN9
6	DISPO_BRIGHTNESS	Adjust the LCD brightness	CN9

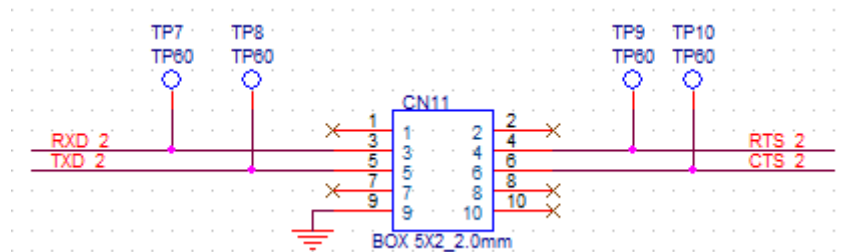
CN10_Touch Screen



CN10 Pin Description List (WAFER 5 Pin_Pitch 2.0mm)

Pin No.	Pin name	Function	Connect to
1	TS_YU	Touch Screen Top channel	CN10
2	TS_YB	Touch Screen Bottom channel	CN10
3	TS_XR	Touch Screen Right channel	CN10
4	TS_XL	Touch Screen Left channel	CN10
5	GND	GND	CN10

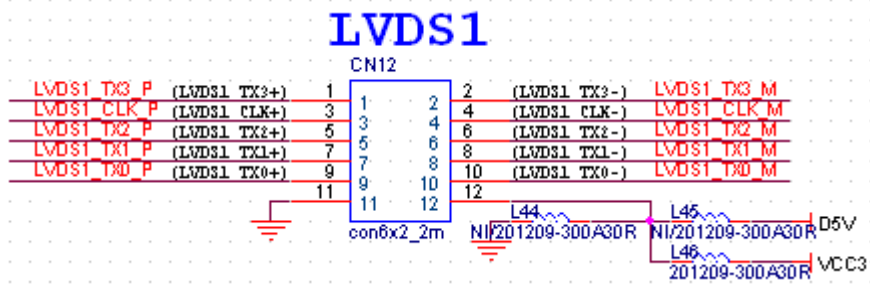
CN11_COM3 RS-232.



CN11 Pin Description List (Box Header 2x5 Pin_Pitch 2.0mm)

Pin No.	Pin name	Function	Connect to
1	N.C	N.C	CN11
2	N.C	N.C	CN11
3	RXD_2	COM3_RXD	CN11
4	RTS_2	COM3_RTS	CN11
5	TXD_2	COM3_TXD	CN11
6	CTS_2	COM3_CTS	CN11
7	N.C	N.C	CN11
8	N.C	N.C	CN11
9	GND	GND	CN11
10	N.C	N.C	CN11

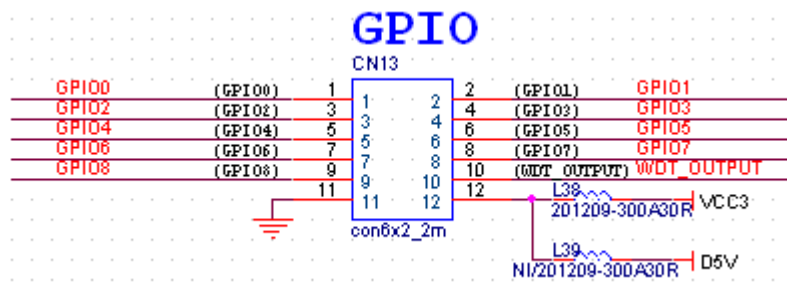
CN12_LVDS1



CN12 Pin Description List (Pin Header 2x5 Pin_Pitch 2.0mm)

Pin No.	Pin name	Function	Connect to
1	LVDS1_TX3_P	LVDS1 receiver positive signal channel 3	CN12
2	LVDS1_TX3_M	LVDS1 receiver negative signal channel 3	CN12
3	LVDS1_CLK_P	LVDS1 receiver positive signal clock	CN12
4	LVDS1_CLK_M	LVDS1 receiver negative signal clock	CN12
5	LVDS1_TX2_P	LVDS1 receiver positive signal channel 2	CN12
6	LVDS1_TX2_M	LVDS1 receiver negative signal channel 2	CN12
7	LVDS1_TX1_P	LVDS1 receiver positive signal channel 1	CN12
8	LVDS1_TX1_M	LVDS1 receiver negative signal channel 1	CN12
9	LVDS1_TX0_P	LVDS1 receiver positive signal channel 0	CN12
10	LVDS1_TX0_M	LVDS1 receiver negative signal channel 0	CN12
11	GND	GND	CN12
12	VCC3	VCC 3.3V	CN12

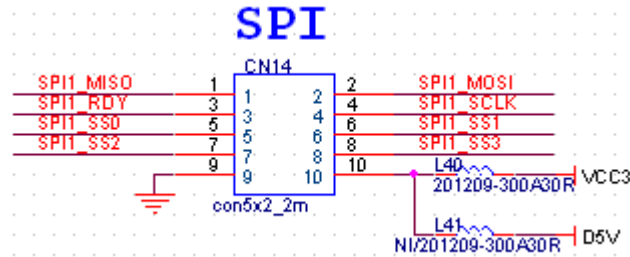
CN13_GPIO



CN13 Pin Description List (Pin Header 2x5 Pin_Pitch 2.0mm)

Pin No.	Pin name	Function	Connect to
1	GPIO0	GPIO	CN13
2	GPIO1	GPIO	CN13
3	GPIO2	GPIO	CN13
4	GPIO3	GPIO	CN13
5	GPIO4	GPIO	CN13
6	GPIO5	GPIO	CN13
7	GPIO6	GPIO	CN13
8	GPIO7	GPIO	CN13
9	GPIO8	GPIO	CN13
10	WDT_OUTPUT	WDT_OUTPUT	CN13
11	GND	GND	CN13
12	VCC3	VCC 3.3V	CN13

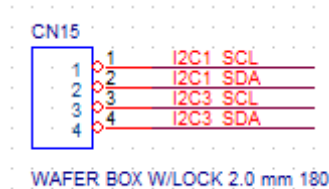
CN14 _SPI



CN14 Pin Description List (Pin Header 2x5 Pin_Pitch 2.0mm)

Pin No.	Pin name	Function	Connect to
1	SPI1_MISO	Master In Slave Out	CN14
2	SPI1_MOSI	Master Out Slave In	CN14
3	SPI1_RDY	SPI Ready Signal	CN14
4	SPI1_SCLK	SPI Serial Clock	CN14
5	SPI1_SS0	SPI Chip Select 1	CN14
6	SPI1_SS1	SPI Chip Select 2	CN14
7	SPI1_SS2	SPI Chip Select 3	CN14
8	SPI1_SS3	SPI Chip Select 4	CN14
9	GND	GND	CN14
10	VCC3	VCC 3.3V	CN14

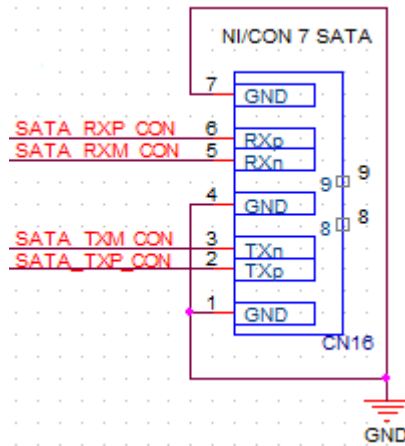
CN15 _I2C



CN15 Pin Description List (WAFER 4 Pin_Pitch 2.0mm)

Pin No.	Pin name	Function	Connect to
1	I2C1_SCL	I2C clock signal channel 1	CN15
2	I2C1_SDA	I2C data signal channel 1	CN15
3	I2C3_SCL	I2C clock signal channel 3	CN15
4	I2C3_SDA	I2C data signal channel 3	CN15

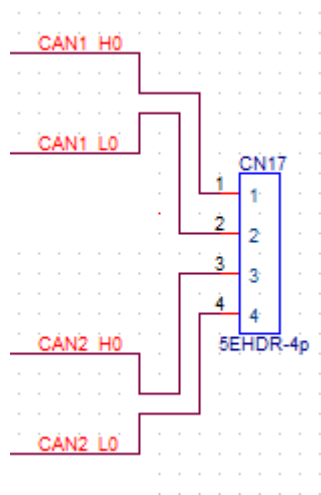
CN16 _SATA



CN16 Pin Description List

Pin No.	Pin name	Function	Connect to
1	GND	GND	CN16
2	SATA_TXP_CON	SATA Transmit positive Data	CN16
3	SATA_TXM_CON	SATA Transmit negative Data	CN16
4	GND	GND	CN16
5	SATA_RXM_CON	SATA Receive negative Data	CN16
6	SATA_RXP_CON	SATA Receive positive Data	CN16
7	GND	GND	CN16

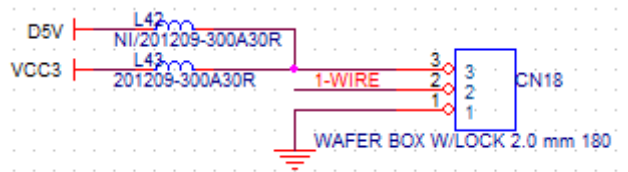
CN17 _CAN Bus



CN17 Pin Description List

Pin No.	Pin name	Function	Connect to
1	CAN1_H0	CAN High signal channel 1	CN17
2	CAN1_L0	CAN Low signal channel 1	CN17
3	CAN2_H0	CAN High signal channel 2	CN17
4	CAN2_L0	CAN Low signal channel 2	CN17

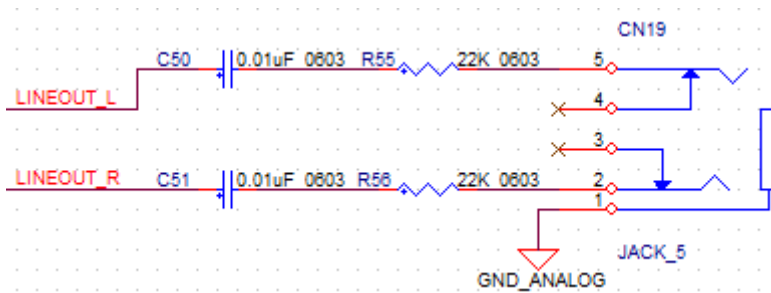
CN18 _1-Wire



CN18 Pin Description List (WAFER 3 Pin_Pitch 2.0mm)

Pin No.	Pin name	Function	Connect to
1	VCC	1-Wire VCC(3.3V/5V)	CN18
2	1-WIRE	1-Wire signal	CN18
3	GND	GND	CN18

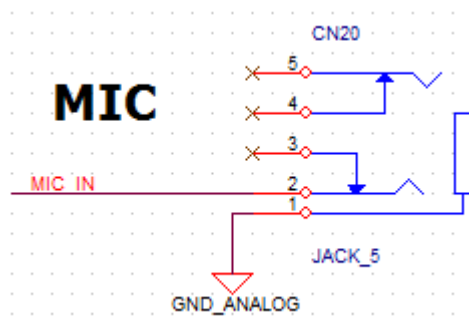
CN19 _Line-Out



CN19 Pin Description List (Phone Jack)

Pin No.	Pin name	Function	Connect to
1	GND	GND	CN19
2	LINEOUT_L	Line-Out signal left	CN19
3	N.C	N.C	CN19
4	N.C	N.C	CN19
5	LINEOUT_R	Line-Out signal right	CN19

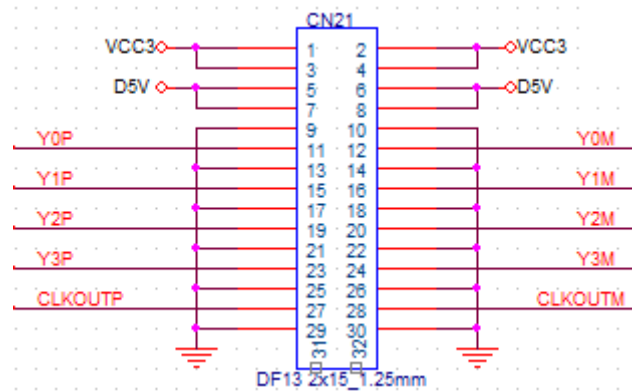
CN20 _MIC-IN Signal Conn.



CN20 Pin Description List (Phone Jack)

Pin No.	Pin name	Function	Connect to
1	GND	GND	CN20
2	MIC_IN	Mic-In Signal	CN20
3	N.C	N.C	CN20
4	N.C	N.C	CN20
5	N.C	N.C	CN20

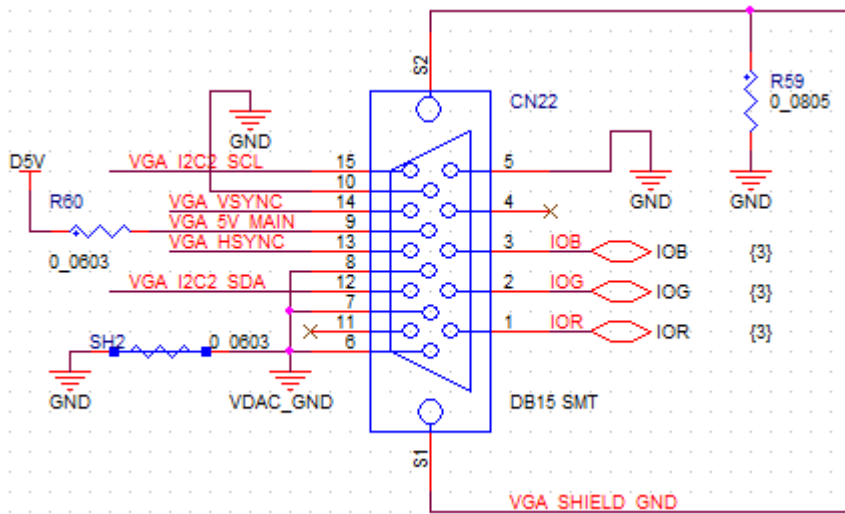
CN21 _ LVDS0



CN21 Pin Description List (DF13 2x15_Pitch 1.25mm)			
Pin No.	Pin name	Function	Connect to
1	VCC3	LCD VCC 3.3V	CN21
2	VCC3	LCD VCC 3.3V	CN21
3	VCC3	LCD VCC 3.3V	CN21
4	VCC3	LCD VCC 3.3V	CN21
5	D5V	LCD VCC5V	CN21
6	D5V	LCD VCC5V	CN21
7	D5V	LCD VCC5V	CN21
8	D5V	LCD VCC5V	CN21
9	GND	GND	CN21
10	GND	GND	CN21
11	Y0P	LVDS0 receiver positive signal channel 0	CN21
12	Y0M	LVDS0 receiver negative signal channel 0	CN21
13	GND	GND	CN21
14	GND	GND	CN21
15	Y1P	LVDS0 receiver positive signal channel 1	CN21
16	Y1M	LVDS0 receiver negative signal channel 1	CN21
17	GND	GND	CN21
18	GND	GND	CN21
19	Y2P	LVDS0 receiver positive signal channel 2	CN21
20	Y2M	LVDS0 receiver negative signal channel 2	CN21
21	GND	GND	CN21

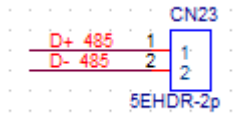
22	GND	GND	CN21
23	Y3P	LVDS0 receiver positive signal channel 3	CN21
24	Y3M	LVDS0 receiver negative signal channel 3	CN21
25	GND	GND	CN21
26	GND	GND	CN21
27	CLKOUTP	LVDS0 receiver positive signal clock	CN21
28	CLKOUTM	LVDS0 receiver negative signal clock	CN21
29	GND	GND	CN21
30	GND	GND	CN21

CN22 _ VGA



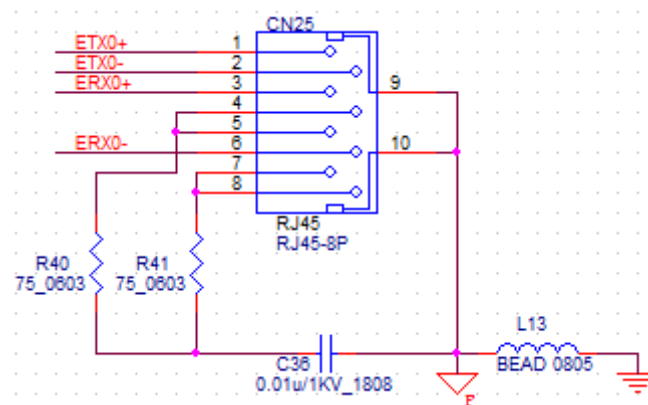
CN22 Pin Description List (DB15 Female)			
Pin No.	Pin name	Function	Connect to
1	IOB	VGA_BLUE	CN22
2	IOG	VGA_GREEN	CN22
3	IOR	VGA_RED	CN22
4	N.C	N.C	CN22
5	GND	GND	CN22
6	GND	VDAC_GND	CN22
7	GND	VDAC_GND	CN22
8	GND	VDAC_GND	CN22
9	VGA_5V_MAIN	VGA VCC5V	CN22
10	GND	GND	CN22
11	N.C	N.C	CN22
12	N.C	N.C	CN22
13	VGA_HSYNC	VGA Horizontal Sync	CN22
14	VGA_VSYNC	VGA Vertical Sync	CN22
15	N.C	N.C	CN22
S1	VGA_SHIELD_GND	VGA_SHIELD_GND	CN22
S2	VGA_SHIELD_GND	VGA_SHIELD_GND	CN22

CN23 _ COM2 RS485



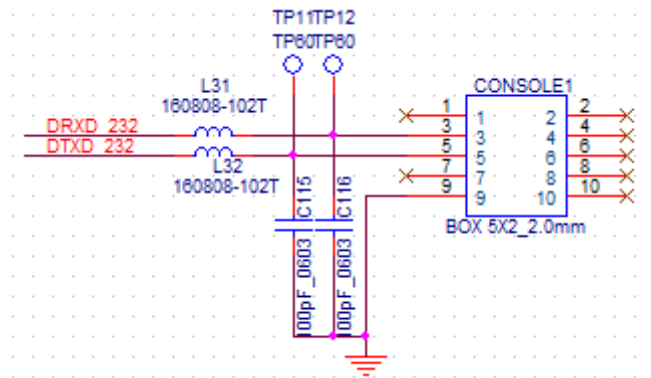
CN17 Pin Description List			
Pin No.	Pin name	Function	Connect to
1	D+_485	RS485_D+	CN23
2	D-_485	RS485_D-	CN23

CN25 _ LAN



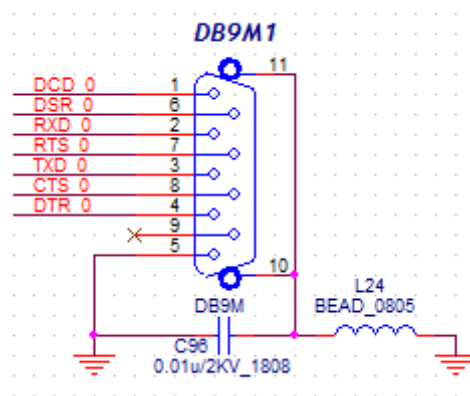
CN25 Pin Description List (RJ45 Type)			
Pin No.	Pin name	Function	Connect to
1	ETX0+	LAN Transmit positive Data	CN25
2	ETX0-	LAN Transmit negative Data	CN25
3	ERX0+	LAN Receive positive Data	CN25
4	None	None	CN25
5	None	None	CN25
6	ERX0-	LAN Receive negative Data	CN25
7	None	None	CN25
8	None	None	CN25
9	GND	GND	CN25
10	GND	GND	CN25

CONSOLE



CONSOLE1 Pin Description List (Box Header 2x5 Pin_Pitch 2.0mm)			
Pin No.	Pin name	Function	Connect to
1	N.C	N.C	CONSOLE1
2	N.C	N.C	CONSOLE1
3	DRXD_232	Debug Receive Data	CONSOLE1
4	N.C	N.C	CONSOLE1
5	DTXD_232	Debug Transmit Data	CONSOLE1
6	N.C	N.C	CONSOLE1
7	N.C	N.C	CONSOLE1
8	N.C	N.C	CONSOLE1
9	GND	GND	CONSOLE1
10	N.C	N.C	CONSOLE1

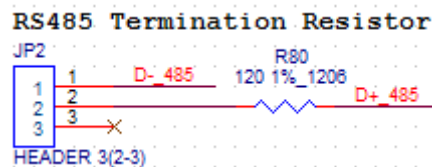
DB9M1 _ COM1 Signal Conn



DB9M1 Pin Description List (D-sub 9-pin Male)

Pin No.	Pin name	Function	Connect to
1	DCD_0	COM1_DCD	DB9M1
2	RXD_0	COM1_RXD	DB9M1
3	TXD_0	COM1_TXD	DB9M1
4	DTR_0	COM1_DTR	DB9M1
5	GND	GND	DB9M1
6	DSR_0	COM1_DSR	DB9M1
7	RTS_0	COM1_RTS	DB9M1
8	CTS_0	COM1_CTS	DB9M1
9	N.C	N.C	DB9M1

JP2 _ RS485 Termination Resistor Select



JP2 1-2 == 120ohm select

JP2 2-3 == none