

Introduction:

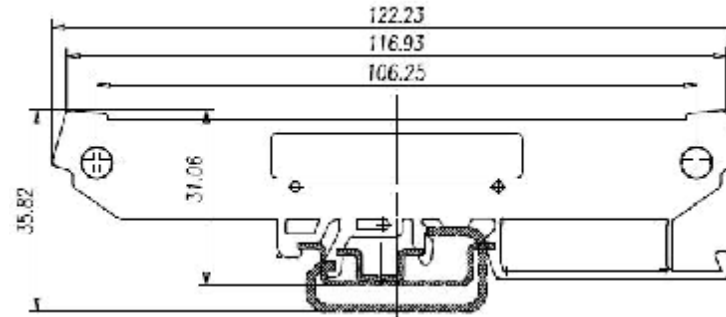
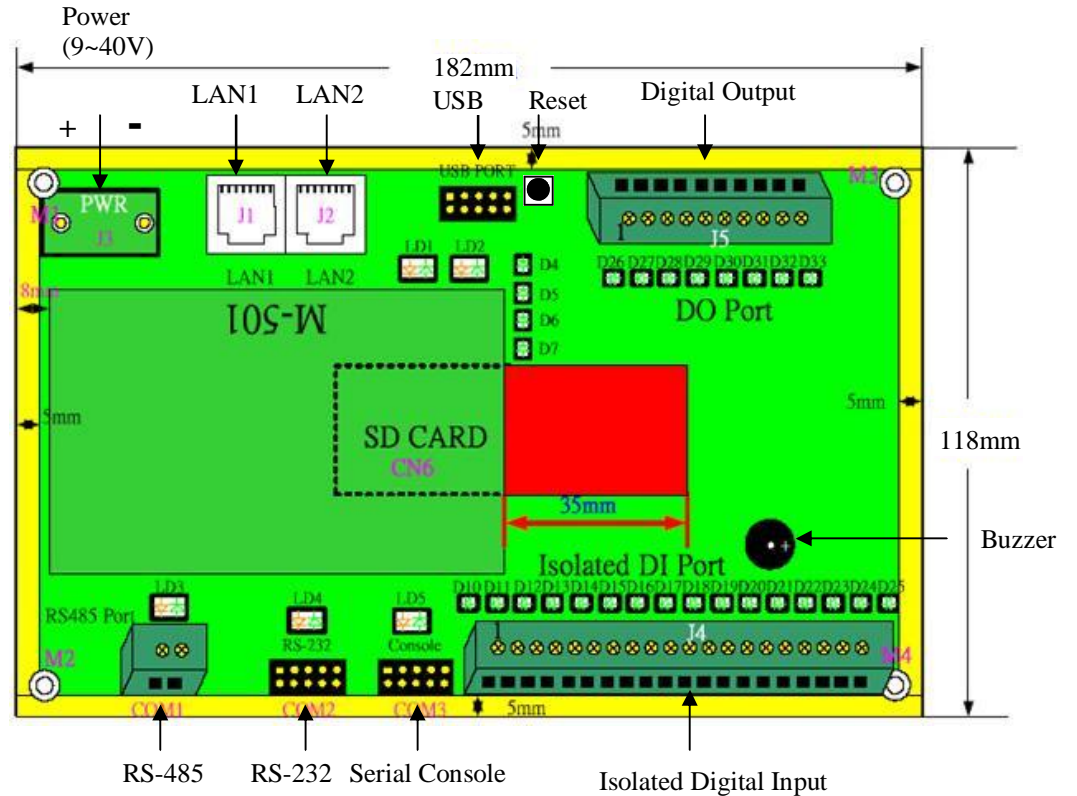
PAC-5010 is ARM9-based Linux ready industrial Programmable Automation Controller. The key features are as follow:

1. ARM920T ARM Thumb Processor with 200MIPS at 180MHz, Memory Management Unit
2. 16-KByte Data Cache and 16-KByte Instruction Cache
3. 64MB SDRAM, 16MB Flash on board
4. Two 10/100 Mbps Ethernet
5. Two USB 2.0 full speed (12 Mbps) Host Ports
6. Multimedia Card Interface for SD memory card
7. One RS-485, One RS-232 and One serial console port
8. 16 opto-isolated digital inputs
9. 8 Darlington-pair digital outputs
10. 9 to 40VDC power input
11. Pre-installed Standard Linux 2.6 OS
12. GNU tool chain available in Artila CD
13. DIN RAIL mounting

Packing List

1. PAC-5010
2. CBL-F10M9-20: 10-pin header to DB9 male cable for RS-232 x1
3. Artila CD

PAC-5010 Layout



Pin Assignment and Definition

Reset Button

Press the "Reset" button to activate the hardware reset. You should only use this function if the software does not function properly.

Power LED (D4)

The Power LED will show solid green if power is properly applied

Ready LED (D5)

The Ready LED will show solid green if Matrix 520 complete system boot up. If Ready LED is off during system boot up, please check if power input is correct. Turn off the power and restart Matrix 520 again. If Ready LED is still off, please contact the manufacture for technical support.

LAN1/LAN2 LED (D6/D7)

When Ethernet port are connected to the network, Link Act will show solid green and if there is traffic in the Ethernet, this LED will flash

Serial Port LED (LD3/LD4/LD5)


These three dual color LEDs indicate the data traffic at the serial ports. When RXD line is high then RED light is ON and when TXD line is high, GREEN light is ON.

User LED (LD1/LD2)

LD1 and LD2 are dual color LED for user application. Please refer to example program for the usage.

Ethernet Port (LAN1/LAN2)

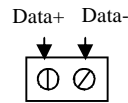
Pin	Signal
1	ETx+
2	ETx-
3	ERx+
6	ERx-



Serial Ports:

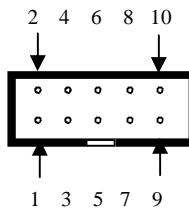
COM1: RS-485 (Data+, Data-)
COM2: RS-232 with full modem control
COM3: RS-232 with Rx/D Tx/D (Console)

COM1: RS-485



Data+ is pull up to 3.3VDC with 10K Ohm resistor
Data- is pull low to ground
Termination resistor is not included. User can add a 120 Ohm resistor shunt with D+ to D- if necessary

COM2: RS232
COM3: Console



Pin	COM2	COM3
1	DCD	N/C
2	DSR	N/C
3	RXD	RXD
4	RTS	N/C
5	TXD	TXD
6	CTS	N/C
7	DTR	N/C
8	N/C	N/C
9	GND	GND
10	N/C	N/C

Serial console port (COM3) is very helpful to perform system configuration and debug. When you forgot password or network IP address, serial console provide an easy way to access PAC-5010. To access serial console port, you can use CBL-F10M9-20 to convert 10-pin header to RS-232 DB9 male connector and use a null modem adaptor for PC RS-232 interface. Use any terminal software such as hyper terminal and setting as follow:

Baud Rate: 115200

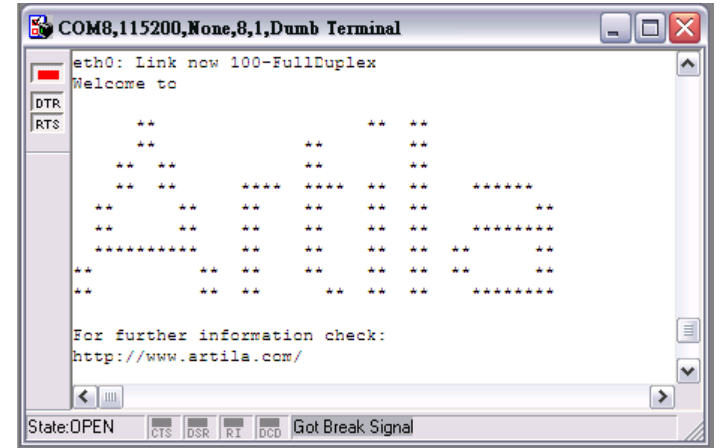
Data bits: 8

Parity: N

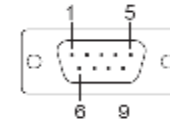
Stop bit: 1

Terminal type: ANSI

Once you power up PAC-5010, you will see the console message appears.

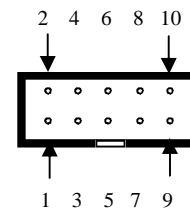


RS-232 DB9 Male Connector



Pin	RS-232
1	DCD
2	RXD
3	TXD
4	DTR
5	GND
6	DSR
7	RTS
8	CTS
9	N/C

USB Port:



Vcc1,Vcc2: +5Vdc

GND: Ground

Pin	USB
1	Vcc1
2	Vcc2
3	Data1-
4	Data2-
5	Data1+
6	Data2+
7	GND
8	GND
9	N/C
10	N/C

Power Input Connector (J3)

PAC-5010 uses +9VDC to 40VDC power and input from J3 connector. Auto-polarity and surge protection are included in power input circuitry of PAC-5010 to provide power protection to PAC-5010.



Digital Input Connector (J4)

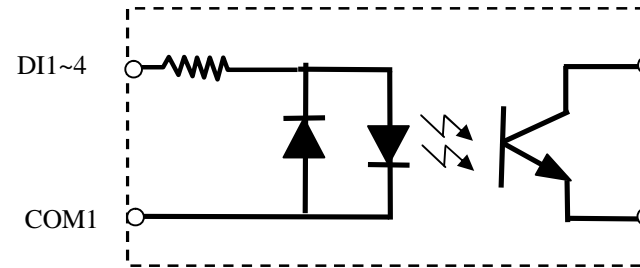
The 16 channel isolated input are equipped with 2500 Vrms photo coupler isolator. Four of the channels form a group and share the same common ground. The specification of the isolated input channels are:

Logical High: 5~24Vdc
 Logical Low: 0~1.5Vdc
 Input resistance: 1.2KOhms @0.5W
 Response time: 20us
 Isolation: 2500Vrms

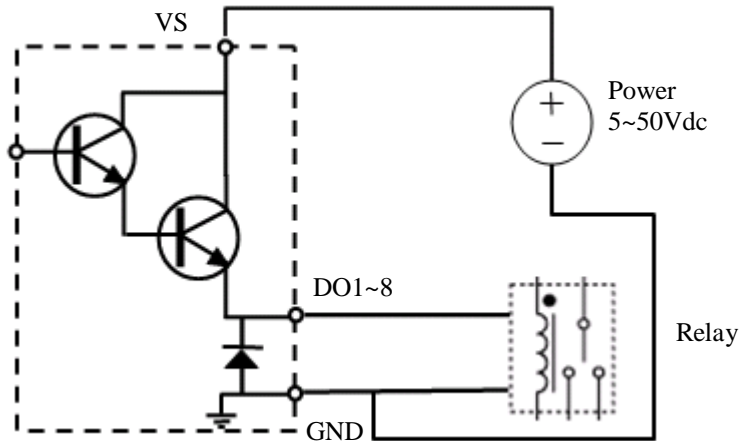
J4				J5	
1	DI1	11	DI9	1	DO1
2	DI2	12	DI10	2	DO2
3	DI3	13	DI11	3	DO3
4	DI4	14	DI12	4	DO4
5	COM1	15	COM3	5	DO5
6	DI5	16	DI13	6	DO6
7	DI6	17	DI14	7	DO7
8	DI7	18	DI15	8	DO8
9	DI8	19	DI16	9	GND
10	COM2	20	COM4	10	VS

Digital Output Connector (J5)

The digital output are equipped with 8 darlington pair transistors (Allegro UDN2981A) to switch the external relay or solenoid. The internal transient-suppression diodes permit the drive to be used with inductive load. The source voltage of the drive is from 5Vdc to 50 Vdc and the maximum driving current is 500 mA.



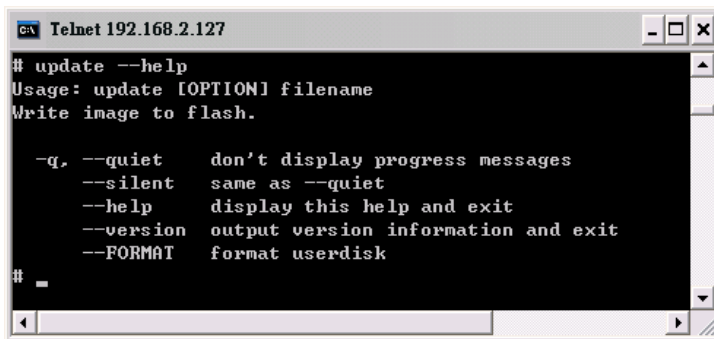
DIx: Isolated digital input channels
 COMx: common ground of four DIx
 DOx: Voltage output channels
 GND: Ground
 VS: Voltage source input



Artila Utility Software:

The introduction of Artila utility software as follow:

1. *update* : update loader, kernel or root file system image. Also use *update* —*FORMAT* to format user disk. Type *update*—*help* to find the command usage



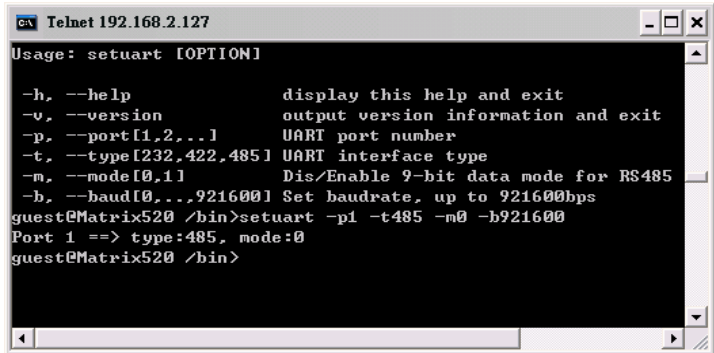
```

c:\ Telnet 192.168.2.127
# update --help
Usage: update [OPTION] filename
Write image to flash.

  -q, --quiet      don't display progress messages
  --silent        same as --quiet
  --help          display this help and exit
  --version       output version information and exit
  --FORMAT        format userdisk
# _
```

Update can only operated under supervisor mode (password : root)

2. *setuart*: configure serial port setting. An example show as followed to configure port 1 as RS-485 interface with baud rate 921600. Please note only port 1 support 9-bit data at RS-485



```

c:\ Telnet 192.168.2.127
Usage: setuart [OPTION]

  -h, --help          display this help and exit
  -v, --version       output version information and exit
  -p, --port[1,2,..1] UART port number
  -t, --type[232,422,485] UART interface type
  -m, --mode[0,1]     Dis/Enable 9-bit data mode for RS485
  -b, --baud[0,..,921600] Set baudrate, up to 921600bps
guest@Matrix520 /bin>setuart -p1 -t485 -m0 -b921600
Port 1 ==> type:485, mode:0
guest@Matrix520 /bin>
```

3. *gpioctl*: *gpioctl* can use to control the digital input and output of PAC-5010. Use

>gpioctl --help

To find out the usage of this command.



```

c:\ Telnet 192.168.2.127
guest@iPAC5010 /bin>gpioctl -a
GPIO count:24
DIP_SW count:0
GPIO0 -> State:Low, Mode:Output
GPIO1 -> State:Low, Mode:Output
GPIO2 -> State:Low, Mode:Output
GPIO3 -> State:Low, Mode:Output
GPIO4 -> State:Low, Mode:Output
GPIO5 -> State:Low, Mode:Output
GPIO6 -> State:Low, Mode:Output
GPIO7 -> State:Low, Mode:Output
GPIO8 -> State:Low, Mode:Input
GPIO9 -> State:Low, Mode:Input
GPIO10 -> State:Low, Mode:Input
GPIO11 -> State:Low, Mode:Input
GPIO12 -> State:Low, Mode:Input
GPIO13 -> State:Low, Mode:Input
GPIO14 -> State:Low, Mode:Input
GPIO15 -> State:Low, Mode:Input
GPIO16 -> State:Low, Mode:Input
GPIO17 -> State:Low, Mode:Input
GPIO18 -> State:Low, Mode:Input
GPIO19 -> State:Low, Mode:Input
GPIO20 -> State:Low, Mode:Input
GPIO21 -> State:Low, Mode:Input
GPIO22 -> State:Low, Mode:Input
GPIO23 -> State:Low, Mode:Input
guest@iPAC5010 /bin>
```

GPIO0~GPIO7 map to digital output DO1~DO8
GPIO8~GPIO23 map to digital input DI1 ~DI16

How to make more utility software

You might also find utility software available on Artila CD under /Matrix 5XX/utility such as *ntpclient*, *ssh*, *scp*, *bluez* and *ssh-keygen*. If you want, you can ftp or copy the utility software to PAC-5010 user disk (/disk). Also you can use find the source code and use the GNU Tool Chain to make the utility by yourself.

Restore to default setting

The factory default setting is available at /default directory. Copy files in this folder to /disk will restore PAC-5010 to factory default setting.

