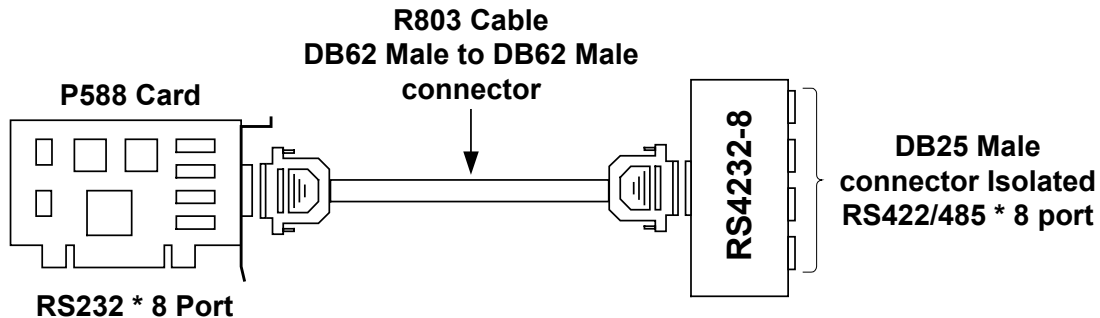


Special Usage for RS4232-8 Box

1. Standard usage : Eight port card use R803 cable to connect with RS4232-8 Box directly ◦ Support eight ground isolated RS422/485 interface ◦



2. Special usage : R802 cable to connect with RS4232-8 Box ◦ Support any RS232 device to have ground isolated RS422/485 interface ◦

※ Eight port card use R801 Cable to connect with R802 cable can support partial RS232 interface and partial ground isolated RS422/RS485 interface structure ◦

